

FL # 15549



MCY ENGINEERING, INC.
GLAZING CONSULTANT

9110 SW SUNSET DRIVE
MIAMI, FLORIDA 33173
P: 305-271-0117
CAN #28677

PRODUCT APPROVAL EVALUATION

Date: 04/27/2012

Detailed Product Description:

Manufacturer: Genesis Shutter Group, Inc.

Model Name: "GSS-1" Genesis Aluminum Accordion Shutter System

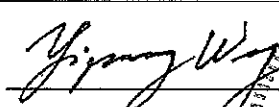
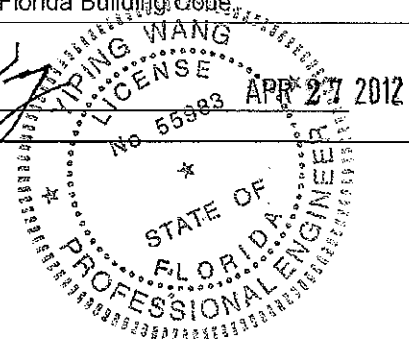
Maximum Shutter Width: See Charts on Installation drawings

Maximum Shutter Height: 143"

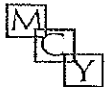
Maximum Load: +180psf/-200psf (Large Missile Impact)

Reference Drawings # AD12-37

This Product complies with the High Velocity Hurricane Zone (HVHZ) testing requirements.

| The above maximum parameters may not occur simultaneously. Refer to installation drawings for design loads | | | | |
|---|-------------------------------|--------------------------------------|---|-------------------------|
| Mandatory Tests (Tested in accordance with AAMA 101/1.S.2/NAFS-02/TAS-202) | | | | |
| TEST | DESCRIPTION | TEST LOCATION | TEST REPORT DATE | TEST REPORT # |
| ASTM E283-02 | Air Infiltration Leakage | N/A | | |
| ASTM E331-00 OR ASTM 547-00 & TAS 202 | Water Penetration | N/A | | |
| ASTM E330-02 & TAS 202 | Uniform Static Air Press, | Hurricane Engineering & Testing Inc. | See Attached Test Recap | See Attached Test Recap |
| AAMA1302.5-76 & 1303.5-76 | Forced Entry | N/A | | |
| Comparative Analysis used <input type="checkbox"/> Yes <input checked="" type="checkbox"/> No: As per guidelines for HVHZ for Dade County. | | | | |
| Supplemental Tests (Tested in accordance with TAS-203) | | | | |
| TEST | DESCRIPTION | TEST LOCATION | TEST REPORT DATE | TEST REPORT # |
| FBC 1626.2 (TAS201&203) ASTM E1886 ASTM E1996-02 | Large Missile Impact & Cyclic | Hurricane Engineering & Testing Inc. | See Attached Test Recap | See Attached Test Recap |
| Under the limitations of the attached drawings, to the best of my knowledge and ability, the above window/ door product conforms to the requirements of the 2007/ 2010 Florida Building Code. | | | | |
| Evaluation Report Engineer: Yiping Wang | | PE # 55983 |   | |
| MCY ENGINEERING | | EB # 28677 | | |





MCY Engineering, Inc,
 NCCL CORPORATION
 Aluminum Accordion Shutter

TR-1
 12/30/2011
 CHARLY/ANNE

TEST RECAP

GSS-1 GENESIS SHUTTER SYSTEM

| TEST REPORT # | TAS | BLADE SPAN IN | DESIGN LOAD PSF | CYCLIC LOAD PSF | L/30 (IN) | DEFLECTION **Δ+ OR Δ-(IN) | SECTION DETAIL (*) |
|---------------|---------|---------------|-----------------|-----------------|-----------|---------------------------|--------------------|
| HETI-11-3212 | 202 | 105 | +70/-60 | - | 3.50 | 0.35/-1.012 | 3 |
| HETI-11-3235 | 202 | 123.5 | +/-50 | - | 4.12 | 1.34/-1.29 | 1 |
| HETI-11-3215 | 202 | 101.375 | +70/-60 | - | 3.38 | 0.75/-0.86 | 9 |
| HETI-11-3233 | 202 | 84.375 | +90/-80 | - | 2.81 | 0.72/-0.55 | 1 |
| HETI-11-3355 | 202 | 59 | +180/-150 | - | 1.97 | 0.5/-0.4 | SPEC#2 |
| HETI-11-3207 | 201/203 | 104.5 | - | +/-60 | - | 3.5 | 2 |
| HETI-11-3208 | 201/203 | 98.75 | - | +/-60 | - | 3.5 | 3 |
| HETI-11-3209 | 201/203 | 98.5 | - | +/-60 | - | 3 | 4 |
| HETI-11-3210 | 201/203 | 99 | - | +/-60 | - | 2.75 | 5 |
| HETI-11-3211 | 201/203 | 99 | - | +/-60 | - | 3.5 | 6 |
| HETI-11-3214 | 201/203 | 105.5 | - | +/-60 | - | 3.75 | 7 |
| HETI-11-3216 | 201/203 | 101.375 | - | +/-60 | - | 3.25 | 9 |
| HETI-11-3232 | 201/203 | 99.75 | - | +/-60 | - | 3.25 | 10 |
| HETI-11-3356 | 201/203 | 59 | - | +/-150 | - | 2.5 | SPEC#1 |
| HETI-11-3351 | 201/203 | 87.375 | - | +90/-90 | - | 2.5 | SPEC#3 |
| HETI-11-3352 | 201/203 | 87.25 | - | +90/-90 | - | 3 | SPEC#4 |
| HETI-11-3353 | 201/203 | 88.785 | - | +90/-90 | - | 3.25 | SPEC#5 |

| TEST REPORT # | TAS | BLADE SPAN IN | IMPACT SPEED FPS | DEFLECTION Δ _{IMPACT} (IN) | SECTION DETAIL (*) |
|---------------|-----|---------------|------------------|-------------------------------------|--------------------|
| HETI-11-3234 | 201 | 84.375 | 50 | 2.5 | 1 |
| HETI-11-3236 | 201 | 123.5 | 50 | 4.25 | 1 |

(*) SECTION DETAIL REFER TO LAB MARKED DRAWING TD11-01 PREPARED BY MCY Engineering

GSS-1 GENESIS SHUTTER SYSTEM(HEAVY DUTY)

| TEST SPECIMEN | TAS | BLADE SPAN IN | DESIGN LOAD PSF | CYCLIC LOAD PSF | L/30 (IN) | DEFLECTION **Δ+ OR Δ-(IN) | SECTION DETAIL |
|---------------|---------|---------------|-----------------|-----------------|-----------|---------------------------|----------------|
| HETI-11-3267 | 202 | 161.75 | +/-40 | - | 5.39 | 2.93/-2.68 | 11 |
| HETI-11-3265 | 202 | 59 | +180/-200 | - | 1.97 | 0.51/-0.444 | 11 |
| HETI-11-3263 | 202 | 98 | +120/-110 | - | 3.27 | 1.12/-1.21 | 11 |
| HETI-11-3242 | 202 | 101.625 | +/-100 | - | 3.39 | 1.1/-1.19 | 12 |
| HETI-11-3268 | 201/203 | 161.75 | - | +/-40 | - | 4.75 | 11 |
| HETI-11-3264 | 201/203 | 98 | - | +120/-110 | - | 2.75 | 11 |
| HETI-11-3246 | 201/203 | 101.625 | - | +/-100 | - | 3.25 | 12 |
| HETI-11-3354 | 201/203 | 59 | - | +180/-200 | - | 2.75 | SPEC#6 |

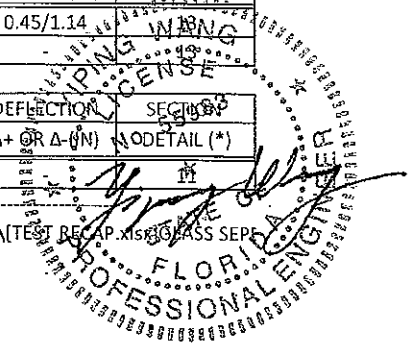
(**) DEFLECTION WHICH IS NOT MEASURED AT THE DESIGN LOAD. INTERPOLATION METHOD IS USED.

TWO SHUTTER WITH HORIZONTAL TUBE IN BETWEEN:

| TEST SPECIMEN | TAS | BLADE SPAN IN | DESIGN LOAD PSF | CYCLIC LOAD PSF | L/30 (IN) | DEFLECTION Δ+ OR Δ-(IN) | SECTION DETAIL |
|---------------|---------|---------------|-----------------|-----------------|-----------|-------------------------|----------------|
| HETI-11-3280 | 202 | 97.75 | +/-70 | - | 3.26 | 0.45/1.14 | |
| HETI-11-3281 | 201/203 | 97.75 | - | +/-70 | - | - | |

| TEST REPORT # | TAS | BLADE SPAN IN | IMPACT SPEED FPS | DEFLECTION Δ _{IMPACT} (IN) | DEFLECTION Δ+ OR Δ-(IN) | DEFLECTION Δ+ OR Δ-(IN) | SECTION DETAIL (*) |
|---------------|-----|---------------|------------------|-------------------------------------|-------------------------|-------------------------|--------------------|
| HETI-11-3266 | 201 | 59 | 50 | 3 | - | - | |

\\Mcy1\mcy\Anne\NCCL-Shutter-GSS1\2012 Jan Revision\Calculations 1- 23-2012\CALCULATION FILES\TEST RECAP.XIS (GSS SEPS)



APR 27 2012

GENERAL NOTES:

- THIS PRODUCT HAS BEEN DESIGNED AND TESTED TO COMPLY WITH THE REQUIREMENTS OF THE FLORIDA BUILDING CODE 2010 EDITION INCLUDING HIGH VELOCITY HURRICANE ZONE (HVHZ).
- ALL ALUMINUM EXTRUSIONS SHALL BE 6063-T6 ALLOY WITH MINIMUM YIELD STRENGTH OF $F_y=31.0$ KSI UNLESS IT IS SPECIFIED.
- ANCHORS SHALL BE AS LISTED, SPACED AS SHOWN ON DETAILS. ANCHORS EMBEDMENT TO BASE MATERIAL SHALL BE BEYOND WALL DRESSING OR STUCCO.
- ANCHORING OR LOADING CONDITIONS NOT SHOWN IN THESE DETAILS ARE NOT PART OF THIS APPROVAL.
- WOOD BUCKS BY OTHERS MUST BE SOUTHERN PINE, $G = 0.55$ AND MUST BE ANCHORED PROPERLY TO TRANSFER LOADS TO THE STRUCTURE.
- ALL ALUMINUM BLIND RIVETS TO BE 5052 ALUMINUM ALLOY WITH ALUMINUM MANDREL.
- BOLTS TO BE GALVANIZED OR STAINLESS STEEL WITH 36 ksi MINIMUM YIELD STRENGTH.
- IT SHALL BE THE RESPONSIBILITY OF THE CONTRACTOR TO VERIFY THE SOUNDNESS OF THE STRUCTURE WHERE SHUTTER IS TO BE ATTACHED TO INSURE PROPER ANCHORAGE. THIS SHUTTER SHALL ONLY BE ATTACHED TO CONCRETE, BLOCK OR WOOD FRAME BUILDINGS.
- A PERMANENT SHUTTER MANUFACTURER'S LABEL SHOULD BE PLACED ON THE EXPOSED SURFACE OF THE CENTERMATE BLADE (COMPONENT 10) UNDER LOCK. ONE LABEL SHALL BE PLACED FOR EVERY OPENING. LABEL SHALL READ AS FOLLOWS:

GENESIS ALUMINUM ACCORDION SHUTTER SYSTEM
 HIALEAH, FLORIDA
 MIAMI-DADE COUNTY PRODUCT CONTROL APPROVED.
 NOA # 11-1006 PER TAS-201, TAS-202, AND TAS-203.

- (a) THIS PRODUCT APPROVAL DOCUMENT (P.A.D.) PREPARED BY THIS ENGINEER IS GENERIC.
 - (b) CONTRACTOR TO BE RESPONSIBLE FOR THE SELECTION, PURCHASE AND INSTALLATION INCLUDING LIFE SAFETY OF THIS PRODUCT BASED ON THIS PRODUCT APPROVAL PROVIDED HE/SHE DOES NOT DEVIATE FROM THE CONDITIONS DETAILED ON THIS DOCUMENT. CONSTRUCTION SAFETY AT SITE IS THE CONTRACTOR'S RESPONSIBILITY.
 - (c) THIS PRODUCT APPROVAL DOCUMENT WILL BE CONSIDERED INVALID IF MODIFIED.
 - (d) SITE SPECIFIC PROJECTS SHALL BE PREPARED BY A FLORIDA REGISTERED ENGINEER OR ARCHITECT WHICH WILL BECOME THE ENGINEER OF RECORD (E.O.R.) FOR THE PROJECT AND WHO WILL BE RESPONSIBLE FOR THE PROPER USE OF THE P.A.D. ENGINEER OF RECORD, ACTING AS DELEGATED ENGINEER TO THE P.A.D. ENGINEER, SHALL SUBMIT TO THIS LATTER THE SITE SPECIFIC DRAWINGS FOR REVIEW.
 - (e) THIS P.A.D. SHALL BEAR THE DATE AND ORIGINAL SEAL AND SIGNATURE OF THE PROFESSIONAL ENGINEER THAT PREPARED IT.

NOTES:

WHEN EDGE DISTANCE EQUAL OR GREATER THAN 2" AND LESS THAN MIN. EDGE DISTANCE SPECIFIED ABOVE, THE ANCHOR SPACE IN ANCHOR CHARTS ON THE DRAWINGS MUST MULTIPLY BY FOLLOWING REDUCTION FACTOR:

- ANCHOR TYPE A, & A1: REDUCTION FACTOR = 0.80
- ANCHOR TYPE B & B1: REDUCTION FACTOR = 0.67
- ANCHOR TYPE C & C1: REDUCTION FACTOR = 0.80
- ANCHOR TYPE E: REDUCTION FACTOR = 0.80
- ANCHOR TYPE F: REDUCTION FACTOR = 0.67

PLEASE NOTE THIS INSTALLATION ARE ONLY VALID FOR THE RESULTING ANCHOR SPACE EQUAL OR GREATER THAN 3". REDUCTION FACTOR MULTIPLY DESIGN LOAD ON SHEET 5 THRU SHEET 15, HAS TO BE GREATER THAN PROJECT DESIGN LOAD.

TYPICAL ANCHORS: (SEE CHARTS FOR ANCHOR SPACING)

- TYPE A.** 1/4" DIA. TAPCON BY ITW BUILDEX ($F_u = 120$ KSI, $F_y = 92$ KSI)
 INTO CONCRETE $f_c=3000$ PSI
 1-3/4" MIN. EMBED
 2-1/2" MIN. EDGE DISTANCE
- TYPE A1.** INTO CONCRETE BLOCK
 1-1/4" MIN. EMBED
 2-1/2" MIN. EDGE DISTANCE
- TYPE B.** 1/4"-20 CALK-IN BY 'POWERS' FASTENERS
 INTO CONCRETE $f_c=3000$ PSI
 7/8" MIN. EMBED
 3" MIN. EDGE DISTANCE
- TYPE B1.** INTO CONCRETE BLOCK
 7/8" MIN. EMBED
 3" MIN. EDGE DISTANCE
- TYPE C.** 1/4" CRETE-FLEX SS4 MASONRY ANCHOR BY "ELCO"
 INTO CONCRETE $f_c=3000$ PSI
 1 3/4" MIN. EMBED
 2 1/2" MIN. EDGE DISTANCE
- TYPE C1.** INTO CONCRETE BLOCK
 1 1/4" MIN. EMBED
 2 1/2" MIN. EDGE DISTANCE
- TYPE D.** 1/4" DIA. ULTRACON BY ELCO ($F_u = 177$ KSI, $F_y = 155$ KSI)
 INTO CONCRETE $f_c=3000$ PSI
 1-3/4" MIN. EMBED
 2-1/2" MIN. EDGE DISTANCE
- TYPE D1.** INTO CONCRETE BLOCK
 1-1/4" MIN. EMBED
 2-1/2" MIN. EDGE DISTANCE
- TYPE E.** 1/4" DIA. TAPPER+ BY "POWERS"
 INTO CONCRETE $f_c = 3000$ PSI
 1-3/4" MIN. EMBED
 2-1/2" MIN. EDGE DISTANCE
- TYPE E1.** INTO CONCRETE BLOCK
 1-1/4" MIN. EMBED
 2" MIN. EDGE DISTANCE
- TYPE F.** 1/4" - 20 "ALL POINTS" SOLID - SET ANCHORS
 INTO CONCRETE $f_c = 3000$ PSI
 7/8" MIN. EMBED
 3" MIN. EDGE DISTANCE
- TYPE F1.** INTO CONCRETE BLOCK
 7/8" MIN. EMBED
 3" MIN. EDGE DISTANCE
- TYPE G** 1/4" DIA. LAG SCREWS ($F_y = 60$ KSI)
 INTO WOOD STRUCTURAL
 1-1/2" MIN. THREADED EMBED
 1-1/2" MIN. EDGE DISTANCE
- TYPE H.** 5/16" DIA. ULTRACON BY ELCO ($F_u = 177$ KSI, $F_y = 155$ KSI)
 INTO WOOD STRUCTURE
 1-1/2" MIN. EMBED
 1-5/8" MIN. EDGE DISTANCE

LIMITATIONS OF USE

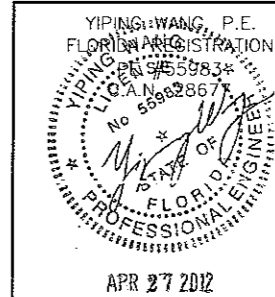
A-THIS PRODUCT EVALUATION DOCUMENT (P.E.D.) PREPARED BY THIS ENGINEER IS GENERIC AND DOES NOT PROVIDE INFORMATION FOR A SITE SPECIFIC PROJECT; I.E. WHERE THE SITE CONDITIONS DEVIATE FROM THE P.E.D.

B-CONTRACTOR TO BE RESPONSIBLE FOR THE SELECTION, PURCHASE AND INSTALLATION OF THIS PRODUCT BASED ON THIS PRODUCT EVALUATION PROVIDED HE/SHE DOES NOT DEVIATE FROM THE CONDITIONS DETAILED ON THIS DOCUMENT.

THIS PRODUCT EVALUATION DOCUMENT WILL BE CONSIDERED INVALID IF ALTERED BY ANY MEANS.

SITE SPECIFIC PROJECTS SHALL BE PREPARED BY A FLORIDA REGISTERED ENGINEER OR ARCHITECT WHICH WILL BECOME THE ENGINEER OF RECORD (E.O.R.) FOR THE PROJECT AND WHO WILL BE RESPONSIBLE FOR THE PROPER USE OF THE P.E.D. ENGINEER OF RECORD, ACTING AS A DELEGATED ENGINEER TO THE P.E.D. ENGINEER SHALL SUBMIT TO THIS LATTER THE SITE SPECIFIC DRAWINGS FOR REVIEW.

THIS P.E.D. SHALL BEAR THE DATE AND ORIGINAL SEAL AND SIGNATURE OF THE PROFESSIONAL ENGINEER OF RECORD THAT PREPARED IT.



| NO. | DATE | DESCRIPTION |
|-----|------|-------------|
| | | |
| | | |
| | | |

MCY ENGINEERING, INC.
 GLAZING CONSULTANTS

8501 SW 124 AVE. STE. 205A
 MIAMI, FL 33183

P: 305.271.0117
 F: 786.573.5063

www.MCYEngineering.com
 MCY.Engineering@Att.net

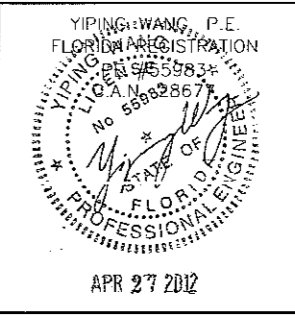
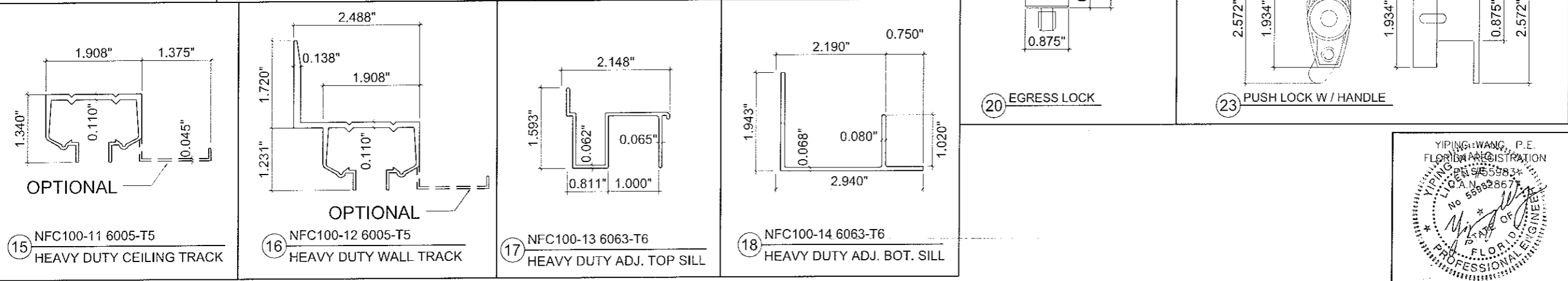
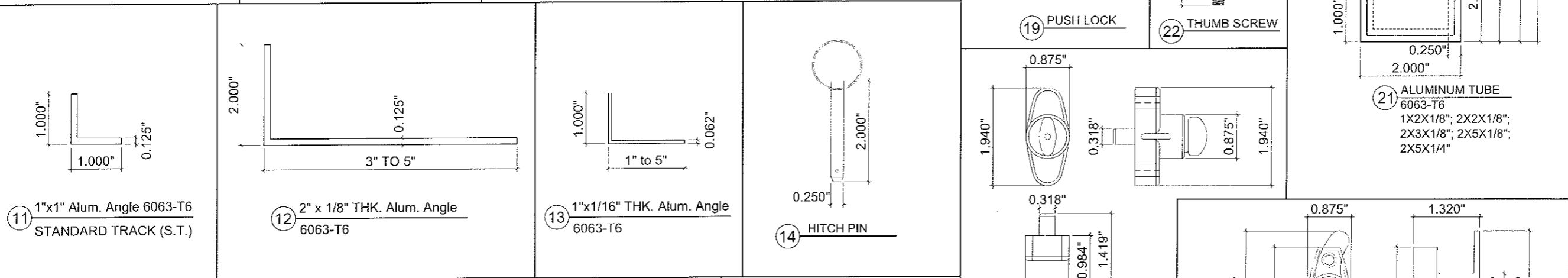
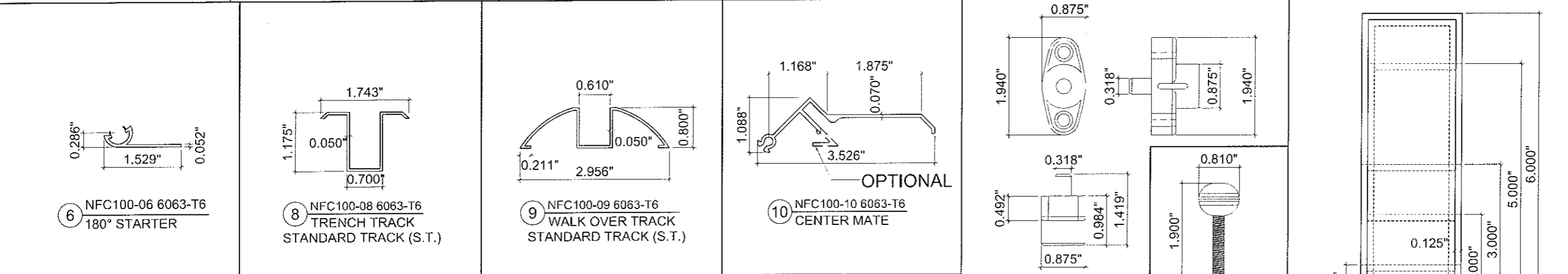
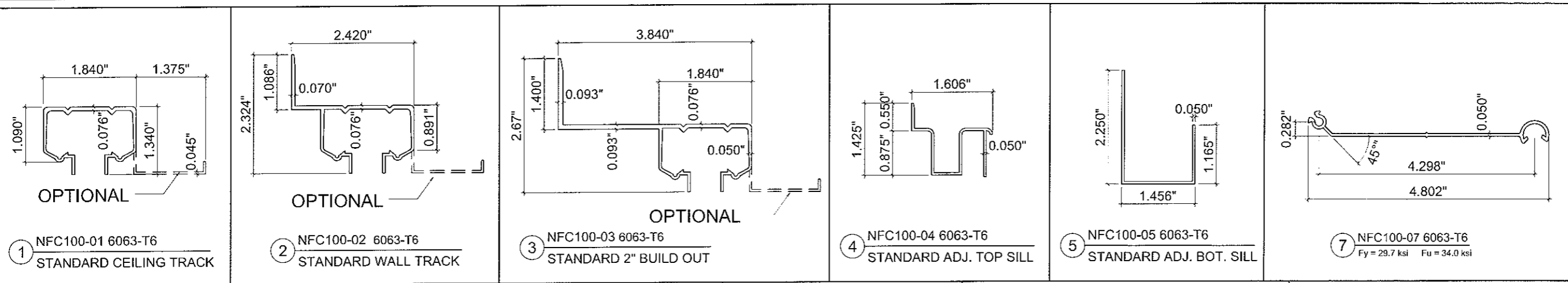
GSS - 1 GENESIS SHUTTER SYSTEM

GENESIS SHUTTER GROUP, INC.

9811 NW 80 AVE. BAY 7A / 7B
 HIALEAH GARDENS, FL, 33016

P: (305) 733 - 6235 F: (305) 846 - 9413

| | |
|------------------------|------------|
| DATE | 4-27-12 |
| SCALE | AS NOTED |
| DRAWN | S.L. |
| PROJECT | MCY 12-087 |
| DRAWING NO. AD12-37 | |
| 1 OF 15 | |



| NO. | DATE | DESCRIPTION |
|-----|------|-------------|
| | | |
| | | |

MCY ENGINEERING, INC.
GLAZING CONSULTANTS

8501 SW 124 AVE. STE. 205A
MIAMI, FL. 33183

P: 305.271.0117
F: 786.573.5063

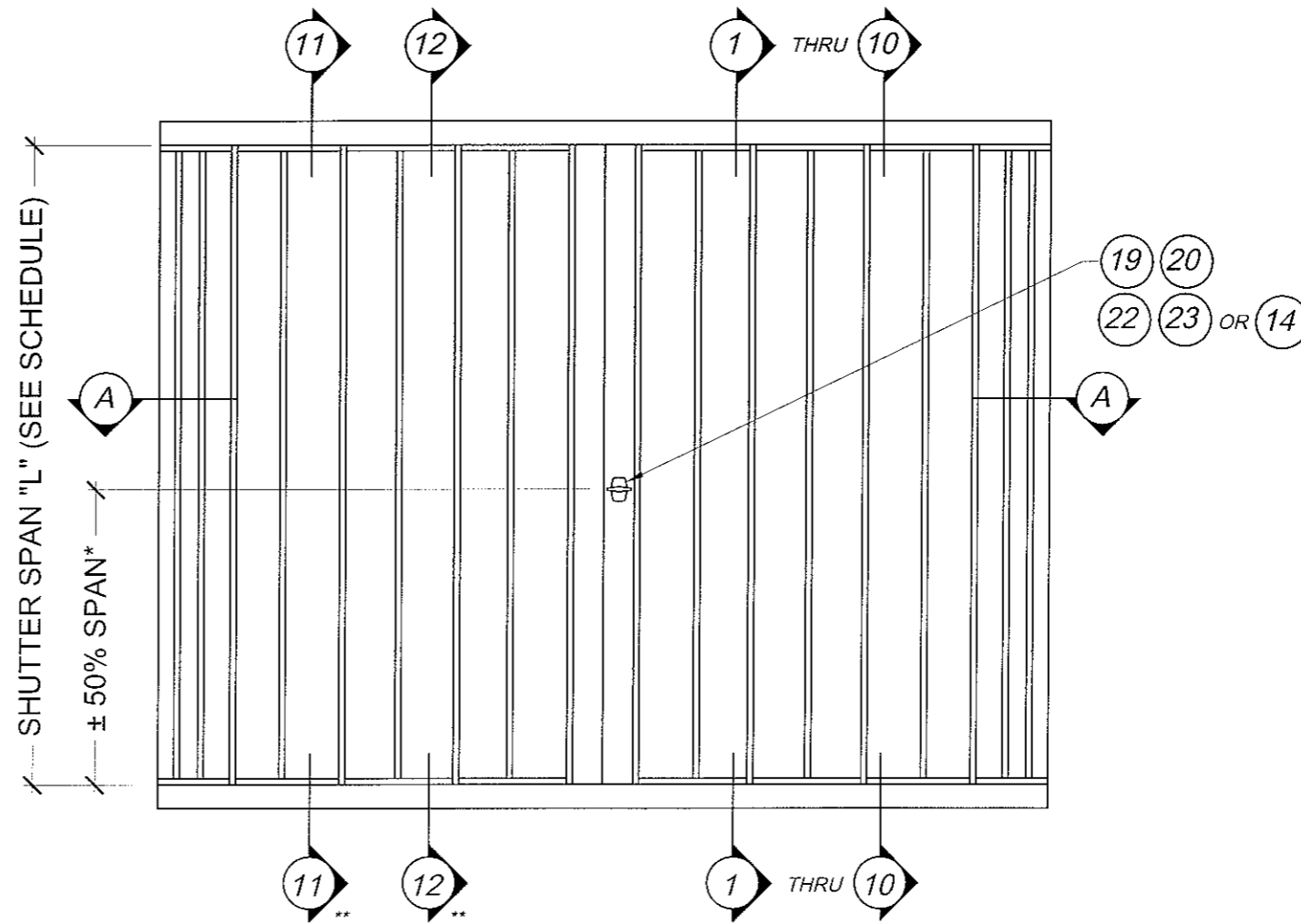
www.MCYEngineering.com
MCY.Engineering@Att.net

GSS - 1 GENESIS SHUTTER SYSTEM
GENESIS SHUTTER GROUP, INC.

9811 NW 80 AVE. BAY 7A / 7B
HIALEAH GARDENS, FL. 33016
P: (305) 733 - 6235 F: (305) 846 - 9413

| | |
|------------------------|------------|
| DATE | 4-27-12 |
| SCALE | AS NOTED |
| DRAWN | S.L. |
| PROJECT | MCY 12-087 |
| DRAWING No. AD12-37 | |
| 2 OF 15 | |

| MAX. SHUTTER SPAN - "L" | | | | |
|-------------------------|----------------------|----------------------|-----------------------|----------------------|
| MAX. DESIGN LOAD | WITH STANDARD TRACK | | WITH HEAVY DUTY TRACK | |
| | DUE TO POSITIVE LOAD | DUE TO NEGATIVE LOAD | DUE TO POSITIVE LOAD | DUE TO NEGATIVE LOAD |
| (PSF) | (INCH) | (INCH) | (INCH) | (INCH) |
| 40 | 123" | 123" | 143" | 141" |
| 45 | 123" | 123" | 139" | 137" |
| 50 | 120" | 120" | 135" | 133" |
| 55 | 114" | 114" | 132" | 130" |
| 60 | 109" | 109" | 129" | 128" |
| 65 | 105" | 105" | 129" | 124" |
| 70 | 101" | 101" | 124" | 119" |
| 75 | 98" | 98" | 119" | 115" |
| 80 | 94" | 94" | 115" | 111" |
| 85 | 92" | 92" | 111" | 108" |
| 90 | 89" | 89" | 108" | 105" |
| 95 | 87" | 86" | 105" | 102" |
| 100 | 84" | 81" | 102" | 100" |
| 105 | 82" | 77" | 100" | 97" |
| 110 | 81" | 74" | 95" | 95" |
| 115 | 79" | 71" | 93" | 91" |
| 120 | 77" | 68" | 91" | 87" |
| 125 | 75" | 65" | 89" | 84" |
| 130 | 74" | 63" | 87" | 81" |
| 135 | 72" | 60" | 85" | 78" |
| 140 | 69" | 58" | 82" | 75" |
| 145 | 67" | 56" | 79" | 72" |
| 150 | 65" | 54" | 76" | 70" |
| 155 | -- | -- | 74" | 68" |
| 160 | -- | -- | 71" | 66" |
| 165 | -- | -- | 69" | 64" |
| 170 | -- | -- | 67" | 62" |
| 175 | -- | -- | 65" | 60" |
| 180 | -- | -- | 59" | 58" |
| 185 | -- | -- | -- | 57" |
| 190 | -- | -- | -- | 55" |
| 195 | -- | -- | -- | 54" |
| 200 | -- | -- | -- | 52" |

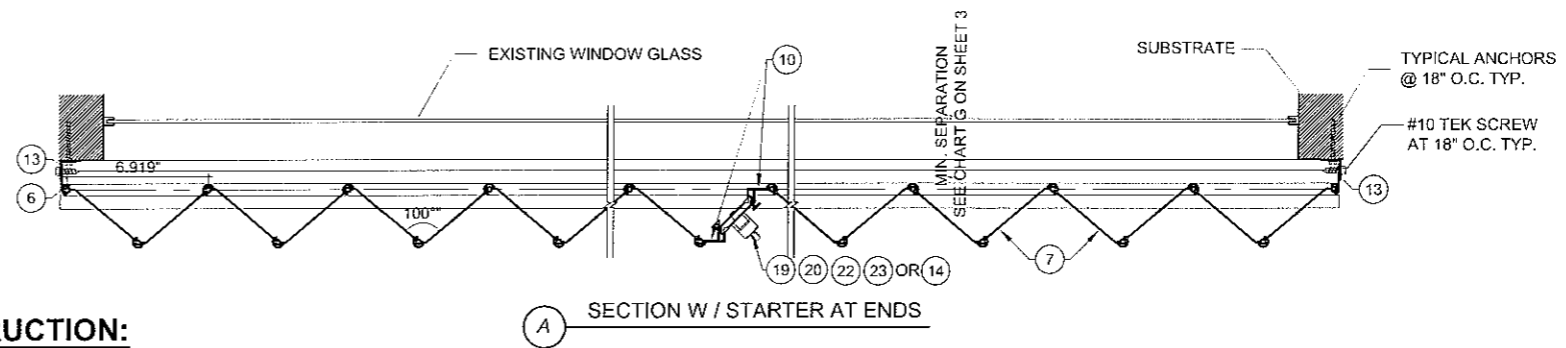


TYPICAL ELEVATION

* SEE NOTES
** FOR HEAVY DUTY ONLY

NOTES:

- 1) LOCK SHALL BE LOCATED WITHIN 18" OF MID-SPAN;
- 2) FOR SHUTTER SPAN ≥ 12 FT USE (2) LOCKS AT 1/3 SPAN;
- 3) LOCK (22) AND (14) USED FOR STANDARD TRACK ONLY.

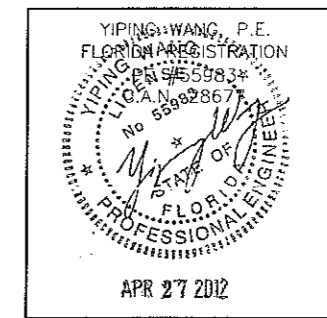


INSTRUCTION:

STEP 1 DETERMINE DESIGN WIND LOAD REQUIREMENT BASED ON APPLICABLE ASCE 7 STANDARD.

STEP 2 CHECK SHUTTER CAPACITY FOR A GIVEN SHUTTER SPAN USING CHARTS ON SHEET 3. MAX. DESIGN LOAD FROM CHART HAS TO BE EQUAL OR GREATER THAN DESIGN WIND LOAD FROM STEP 1.

STEP 3 USING CHARTS ON SHEET 4 THRU SHEET 15 SELECT ANCHOR TYPE AND SPACING BASED ON DESIGN LOAD AND SHUTTER SPAN FOR THE ANCHOR DETAIL USED.

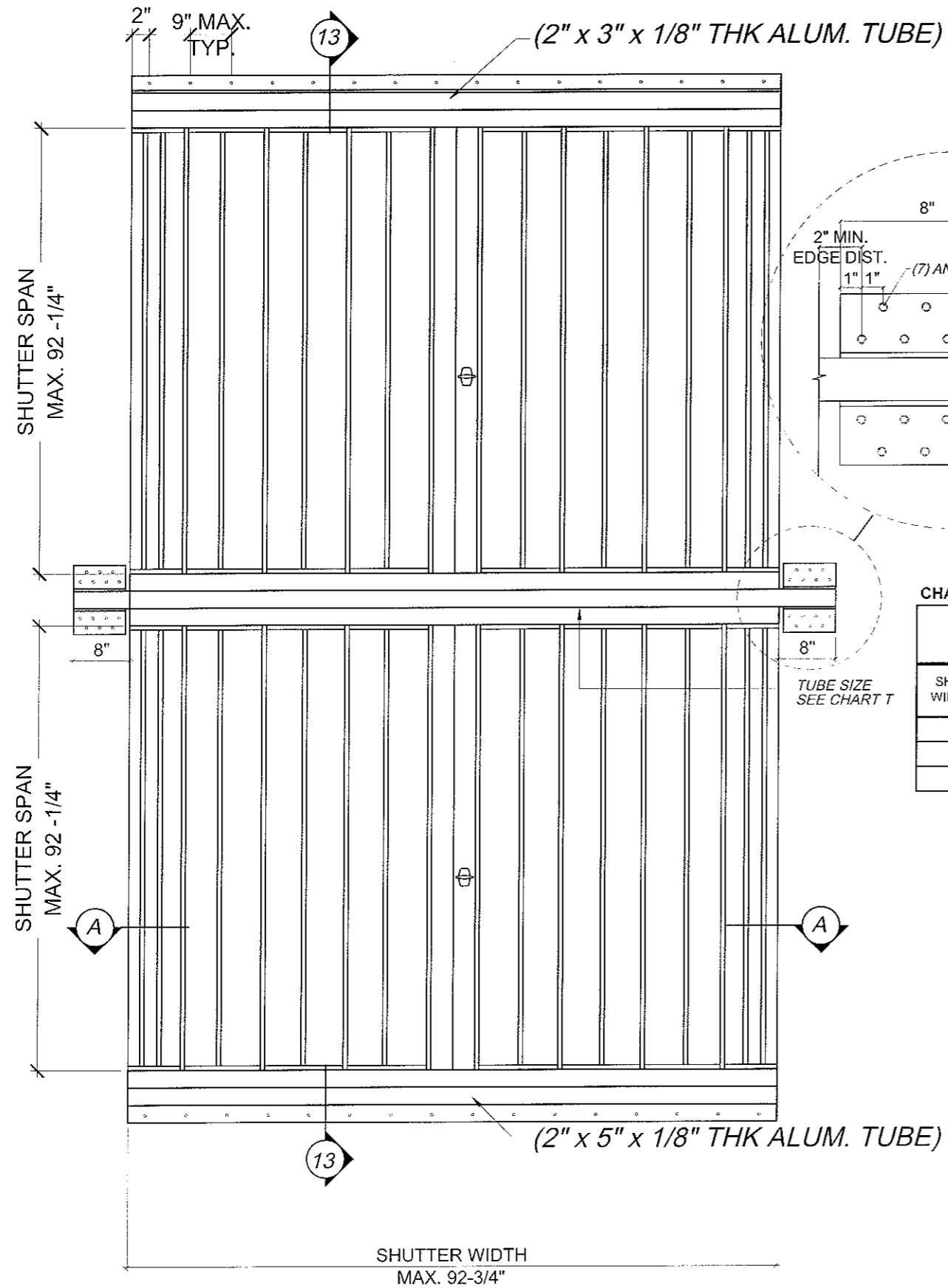


| NO. | DATE | REVISIONS DESCRIPTION |
|-----|------|-----------------------|
| | | |
| | | |
| | | |

MCY ENGINEERING, INC.
GLAZING CONSULTANTS
8501 SW 124 AVE. STE. 205A P: 305.271.0117
MIAMI, FL. 33183 F: 786.573.5063
www.MCYEngineering.com MCY.Engineering@Att.net

GSS - 1 GENESIS SHUTTER SYSTEM
GENESIS SHUTTER GROUP, INC.
9811 NW 80 AVE. BAY 7A / 7B
HIALEAH GARDENS, FL. 33016
P: (305) 733 - 6235 F: (305) 846 - 9413

| | |
|-------------|------------|
| DATE | 4-27-12 |
| SCALE | AS NOTED |
| DRAWN | S.L. |
| PROJECT | MCY 12-087 |
| DRAWING NO. | AD12-37 |
| 3 OF 15 | |



ELEVATION OPTION 1
HEAVY DUTY TRACK ONLY

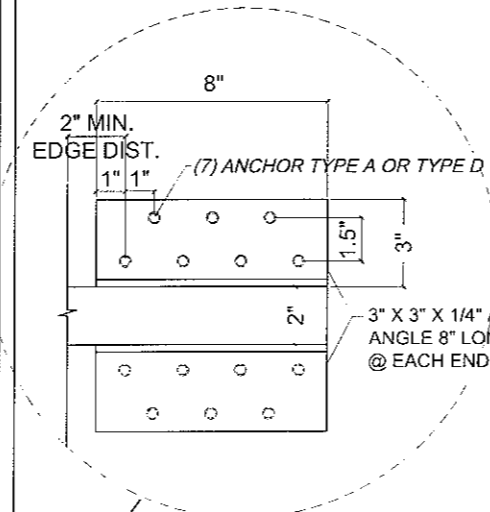
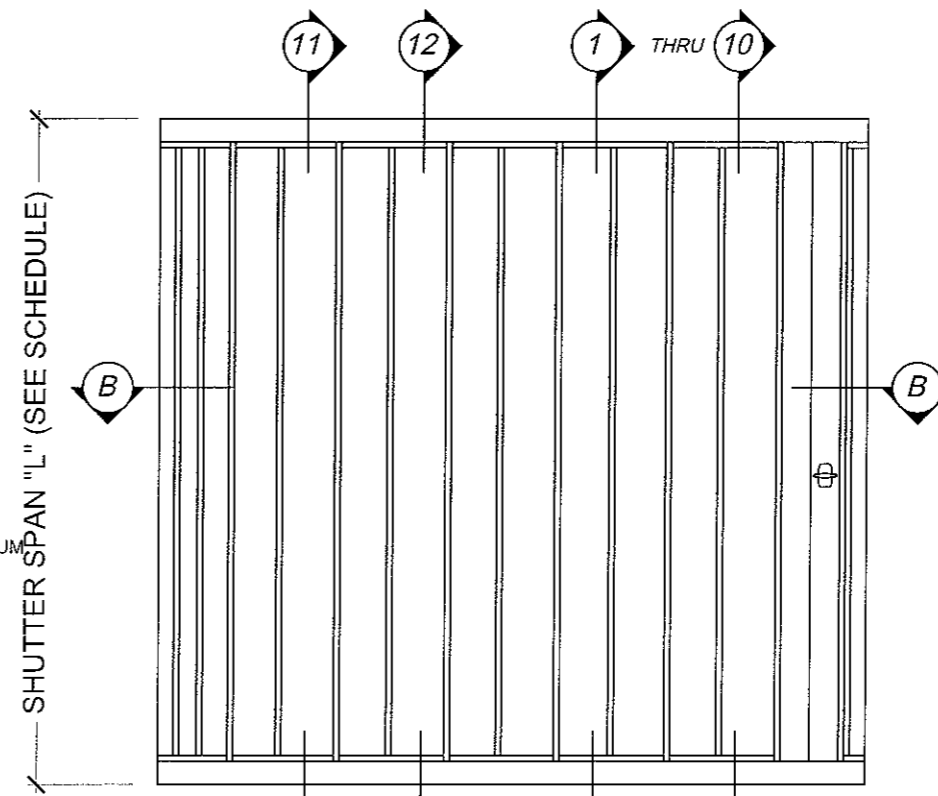


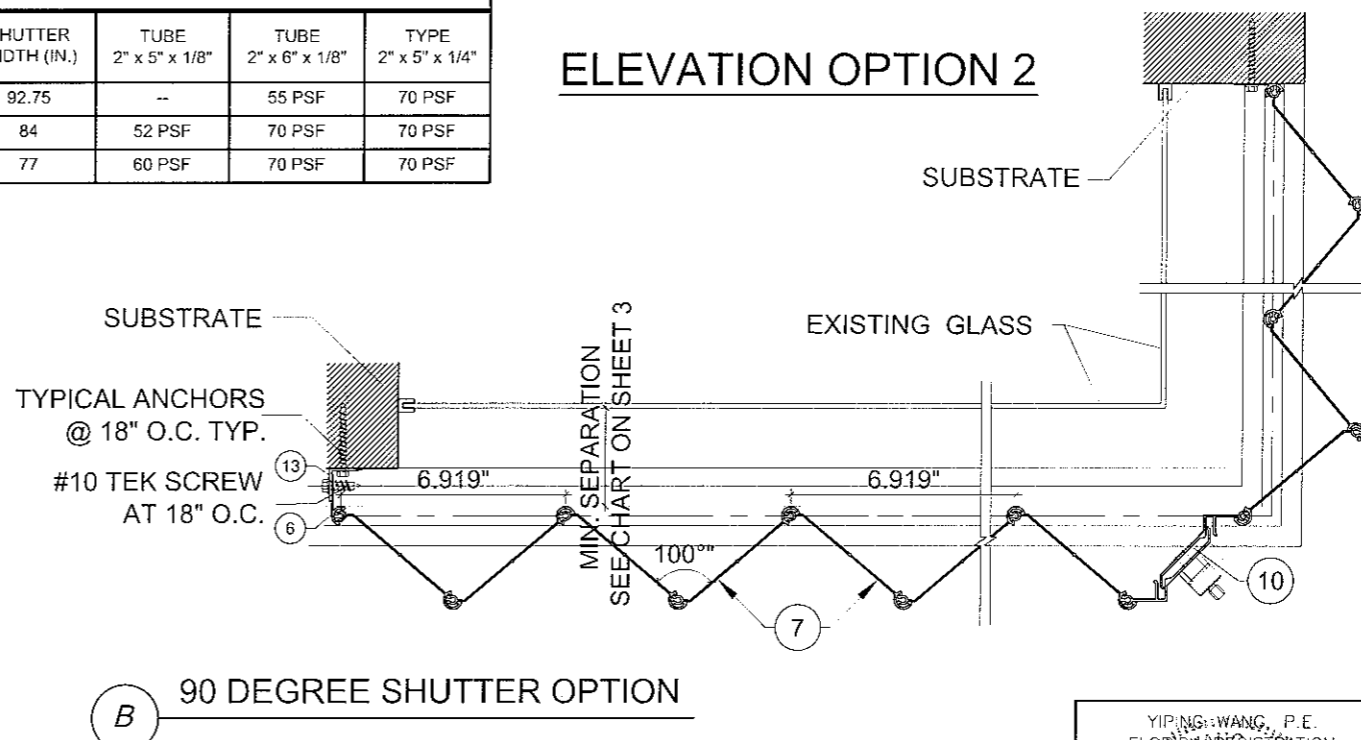
CHART T

DESIGN LOAD FOR INTERMEDIATE ALUMINUM TUBE

| SHUTTER WIDTH (IN.) | TUBE 2" x 5" x 1/8" | TUBE 2" x 6" x 1/8" | TUBE 2" x 5" x 1/4" |
|---------------------|---------------------|---------------------|---------------------|
| 92.75 | -- | 55 PSF | 70 PSF |
| 84 | 52 PSF | 70 PSF | 70 PSF |
| 77 | 60 PSF | 70 PSF | 70 PSF |



ELEVATION OPTION 2



90 DEGREE SHUTTER OPTION

YIPING WANG, P.E.
FLORIDA REGISTRATION
NO. 55583
APR 27 2012

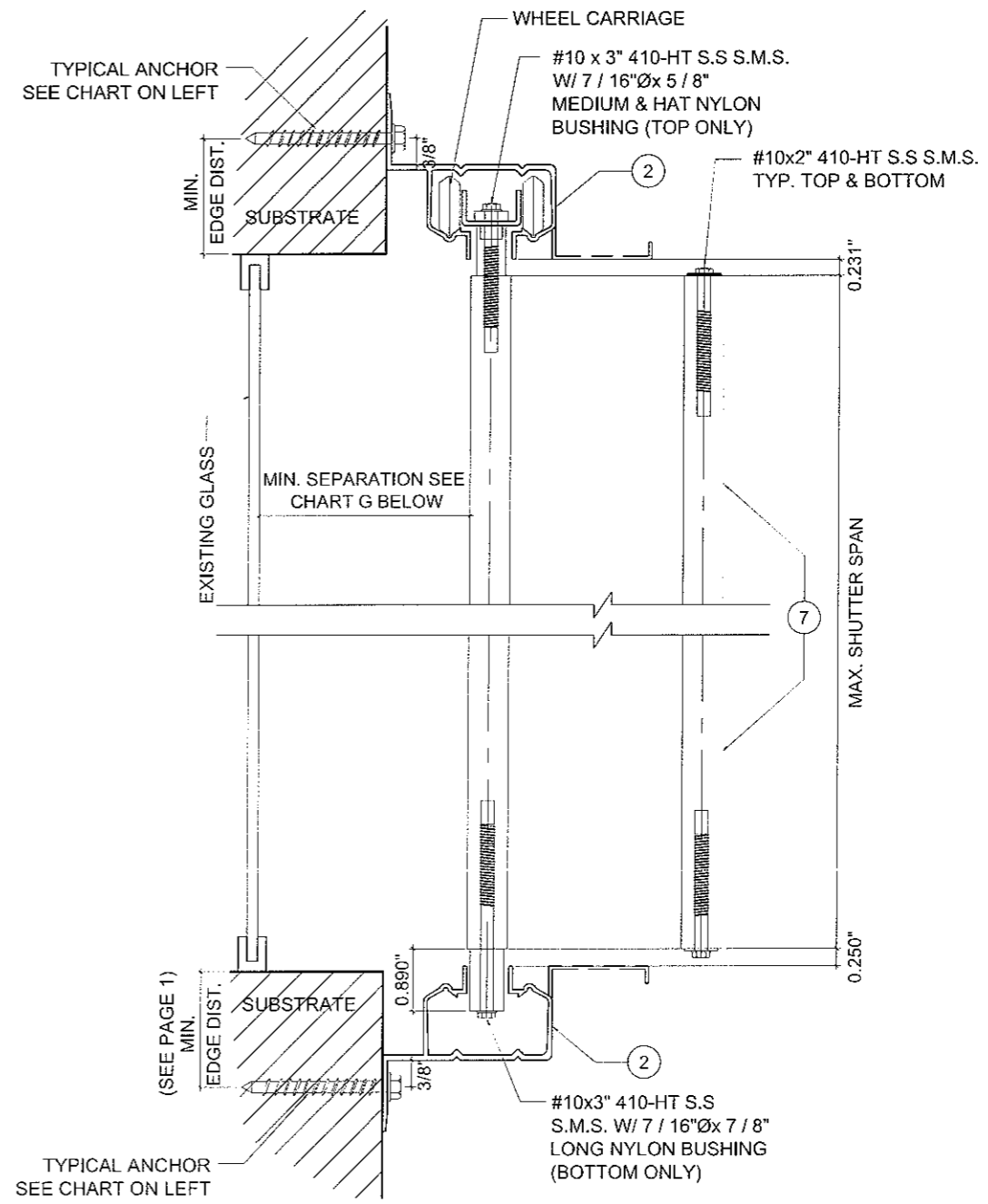
| NO. | DATE | DESCRIPTION |
|-----|------|-------------|
| | | |

MCY ENGINEERING, INC.
GLAZING CONSULTANTS
8501 SW 124 AVE. STE. 205A
MIAMI, FL 33183
P: 305.271.0117
F: 786.573.5063
www.MCYEngineering.com
MCY.Engineering@At.t.net

GSS - 1 GENESIS SHUTTER SYSTEM
GENESIS SHUTTER GROUP, INC.
9811 NW 80 AVE. BAY 7A / 7B
HIALEAH GARDENS, FL 33016
P: (305) 733 - 6235 F: (305) 846 - 9413

| | |
|-------------|------------|
| DATE | 4-27-12 |
| SCALE | AS NOTED |
| DRAWN | S.L. |
| PROJECT | MCY 12-087 |
| DRAWING NO. | AD12-37 |
| 4 OF 15 | |

| DESIGN LOAD VS SPAN AND ANCHOR SPACING CHART | | | | | | | DESIGN LOAD VS SPAN AND ANCHOR SPACING CHART | | | | | | |
|--|--------------|----------------------|----------------------|----------------------|------------------------|----------------------|--|--------------|----------------------|----------------------|----------------------|------------------------|----------------------|
| MAX. DESIGN LOAD | SHUTTER SPAN | SECTION 1 (TOP) | | | | | MAX. DESIGN LOAD | SHUTTER SPAN | SECTION 1 (BOTTOM) | | | | |
| | | CONCRETE | CONCRETE | WOOD STRUCTURE | CONCRETE BLOCK | CONCRETE BLOCK | | | CONCRETE | WOOD STRUCTURE | CONCRETE | CONCRETE BLOCK | CONCRETE BLOCK |
| | | ANCHOR SPACING (in.) | ANCHOR SPACING (in.) | ANCHOR SPACING (in.) | ANCHOR SPACING (in.) | ANCHOR SPACING (in.) | | | ANCHOR SPACING (in.) | ANCHOR SPACING (in.) | ANCHOR SPACING (in.) | ANCHOR SPACING (in.) | ANCHOR SPACING (in.) |
| (PSF) | (INCH) | TYPE A / B / C / F | TYPE E | TYPE H / G | TYPE A1 / B1 / D1 / E1 | TYPE C1 / F1 | (PSF) | (INCH) | TYPE A / B / C / F | TYPE H / G | TYPE E | TYPE A1 / B1 / D1 / E1 | TYPE C1 / F1 |
| 40 | 60" | 12.0 | 12.0 | 12.0 | 6.7 | 11.7 | 40 | 60" | 12.0 | 12.0 | 12.0 | 5.5 | 9.5 |
| | 78" | 12.0 | 11.5 | 12.0 | 5.2 | 9.0 | | 78" | 12.0 | 12.0 | 9.3 | 4.2 | 7.3 |
| | 96" | 12.0 | 9.3 | 12.0 | 4.2 | 7.3 | | 96" | 10.3 | 12.0 | 7.6 | 3.4 | 5.9 |
| | 114" | 10.7 | 7.9 | 12.0 | 3.5 | 6.2 | | 114" | 8.6 | 10.3 | 6.4 | - | 5.0 |
| | 120" | 10.1 | 7.5 | 12.0 | 3.4 | 5.9 | | 120" | 8.2 | 9.7 | 6.1 | - | 4.7 |
| | 132" | 9.2 | 6.8 | 10.9 | 3.1 | 5.3 | | 132" | 7.5 | 8.9 | 5.5 | - | 4.3 |
| 141" | 8.6 | 6.4 | 10.2 | - | 5.0 | 141" | 7.0 | 8.3 | 5.2 | - | 4.0 | | |
| 50 | 60" | 12.0 | 11.9 | 12.0 | 5.4 | 9.4 | 50 | 60" | 12.0 | 12.0 | 9.7 | 4.4 | 7.6 |
| | 78" | 12.0 | 9.2 | 12.0 | 4.1 | 7.2 | | 78" | 10.1 | 12.0 | 7.5 | 3.4 | 5.8 |
| | 96" | 10.1 | 7.5 | 12.0 | 3.4 | 5.9 | | 96" | 8.2 | 9.7 | 6.1 | - | 4.7 |
| | 114" | 8.5 | 6.3 | 10.1 | - | 4.9 | | 114" | 6.9 | 8.2 | 5.1 | - | 4.0 |
| | 120" | 8.1 | 6.0 | 9.6 | - | 4.7 | | 120" | 6.6 | 7.8 | 4.8 | - | 3.8 |
| 132" | 7.4 | 5.4 | 8.7 | - | 4.3 | 132" | 6.0 | 7.1 | 4.4 | - | 3.5 | | |
| 60 | 60" | 12.0 | 10.0 | 12.0 | 4.5 | 7.8 | 60 | 60" | 10.9 | 12.0 | 8.1 | 3.6 | 6.3 |
| | 78" | 10.4 | 7.7 | 12.0 | 3.5 | 6.0 | | 78" | 8.4 | 10.0 | 6.2 | - | 4.9 |
| | 96" | 8.4 | 6.2 | 10.0 | - | 4.9 | | 96" | 6.8 | 8.1 | 5.0 | - | 4.0 |
| | 114" | 7.1 | 5.2 | 8.4 | - | 4.1 | | 114" | 5.8 | 6.8 | 4.3 | - | 3.3 |
| 126" | 6.4 | 4.7 | 7.6 | - | 3.7 | 126" | 5.2 | 6.2 | 3.8 | - | 3.0 | | |
| 70 | 60" | 11.6 | 8.5 | 12.0 | 3.8 | 6.7 | 70 | 60" | 9.4 | 11.1 | 6.9 | 3.1 | 5.4 |
| | 78" | 8.9 | 6.6 | 10.6 | - | 5.1 | | 78" | 7.2 | 8.6 | 5.3 | - | 4.2 |
| | 96" | 7.2 | 5.3 | 8.6 | - | 4.2 | | 96" | 5.9 | 7.0 | 4.3 | - | 3.4 |
| | 114" | 6.1 | 4.5 | 7.2 | - | 3.5 | | 114" | 4.9 | 5.9 | 3.6 | - | - |
| 118" | 5.8 | 4.3 | 6.9 | - | 3.4 | 118" | 4.7 | 5.6 | 3.5 | - | - | | |
| 80 | 60" | 10.1 | 7.5 | 12.0 | 3.4 | 5.9 | 80 | 60" | 8.2 | 9.7 | 6.1 | - | 4.7 |
| | 78" | 7.8 | 5.7 | 9.2 | - | 4.5 | | 78" | 6.3 | 7.5 | 4.7 | - | 3.7 |
| | 96" | 6.3 | 4.7 | 7.5 | - | 3.7 | | 96" | 5.1 | 6.1 | 3.8 | - | - |
| | 111" | 5.5 | 4.0 | 6.5 | - | 3.2 | | 111" | 4.4 | 5.3 | 3.3 | - | - |
| 90 | 60" | 9.0 | 6.6 | 10.7 | 3.0 | 5.2 | 90 | 60" | 7.3 | 8.7 | 5.4 | - | 4.2 |
| | 78" | 6.9 | 5.1 | 8.2 | - | 4.0 | | 78" | 5.6 | 6.7 | 4.1 | - | 3.2 |
| | 96" | 5.6 | 4.1 | 6.7 | - | 3.3 | | 96" | 4.6 | 5.4 | 3.4 | - | - |
| | 105" | 5.1 | 3.8 | 6.1 | - | - | | 105" | 4.2 | 4.9 | 3.1 | - | - |
| 100 | 60" | 8.1 | 6.0 | 9.6 | - | 4.7 | 100 | 60" | 6.6 | 7.8 | 4.8 | - | 3.8 |
| | 78" | 6.2 | 4.6 | 7.4 | - | 3.6 | | 78" | 5.1 | 6.0 | 3.7 | - | - |
| | 96" | 5.1 | 3.7 | 6.0 | - | - | | 96" | 4.1 | 4.9 | 3.0 | - | - |
| | 99" | 4.9 | 3.6 | 5.8 | - | - | | 99" | 4.0 | 4.7 | - | - | - |
| 120 | 48" | 8.4 | 6.2 | 10.0 | - | 4.9 | 120 | 48" | 6.8 | 8.1 | 5.0 | - | 4.0 |
| | 60" | 6.7 | 5.0 | 8.0 | - | 3.9 | | 60" | 5.5 | 6.5 | 4.0 | - | 3.2 |
| | 78" | 5.2 | 3.8 | 6.2 | - | 3.0 | | 78" | 4.2 | 5.0 | 3.1 | - | - |
| | 91" | 4.4 | 3.3 | 5.3 | - | - | | 91" | 3.6 | 4.3 | - | - | - |
| 140 | 48" | 7.2 | 5.3 | 8.6 | - | 4.2 | 140 | 48" | 5.9 | 7.0 | 4.3 | - | 3.4 |
| | 60" | 5.8 | 4.3 | 6.9 | - | 3.3 | | 60" | 4.7 | 5.6 | 3.5 | - | - |
| | 78" | 4.4 | 3.3 | 5.3 | - | - | | 78" | 3.6 | 4.3 | - | - | - |
| | 81" | 4.3 | 3.2 | 5.1 | - | - | | 81" | 3.5 | 4.1 | - | - | - |
| 150 | 48" | 6.3 | 4.7 | 7.5 | - | 3.7 | 150 | 48" | 5.1 | 6.1 | 3.8 | - | - |
| | 60" | 5.1 | 3.7 | 6.0 | - | - | | 60" | 4.1 | 4.9 | 3.0 | - | - |
| | 70" | 4.3 | 3.2 | 5.1 | - | - | | 70" | 3.5 | 4.1 | - | - | - |



1 WALL MOUNTING INSTALLATION
STANDARD TRACK

CHART G

| GLASS SEPARATION CHART FOR STANDARD & HEAVY DUTY | |
|--|------------|
| SHUTTER SPAN | SEPARATION |
| SPAN ≤ 60" | 2 - 1/2" |
| 60" < SPAN ≤ 90" | 3 - 1/4" |
| 90" < SPAN ≤ 120" | 4 - 1/4" |
| 120" < SPAN | 4 - 3/4" |

YIPING WANG, P.E.
FLORIDA REGISTRATION
No. 58862867
APR 27 2012

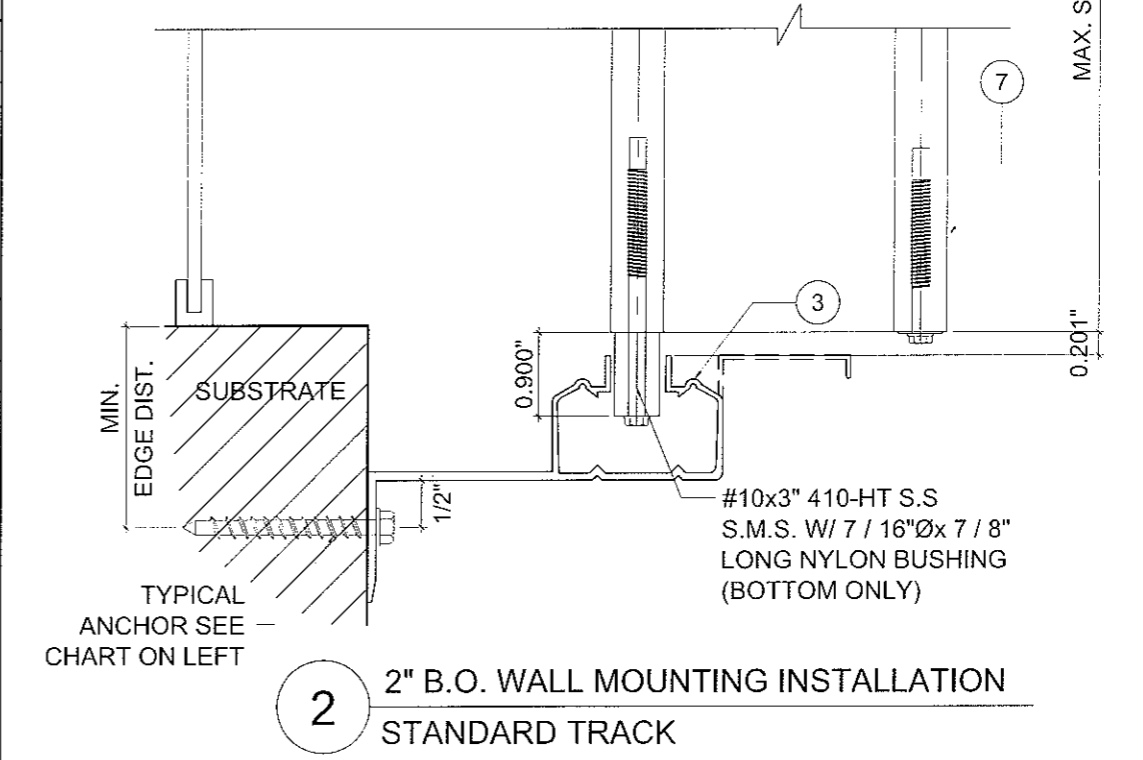
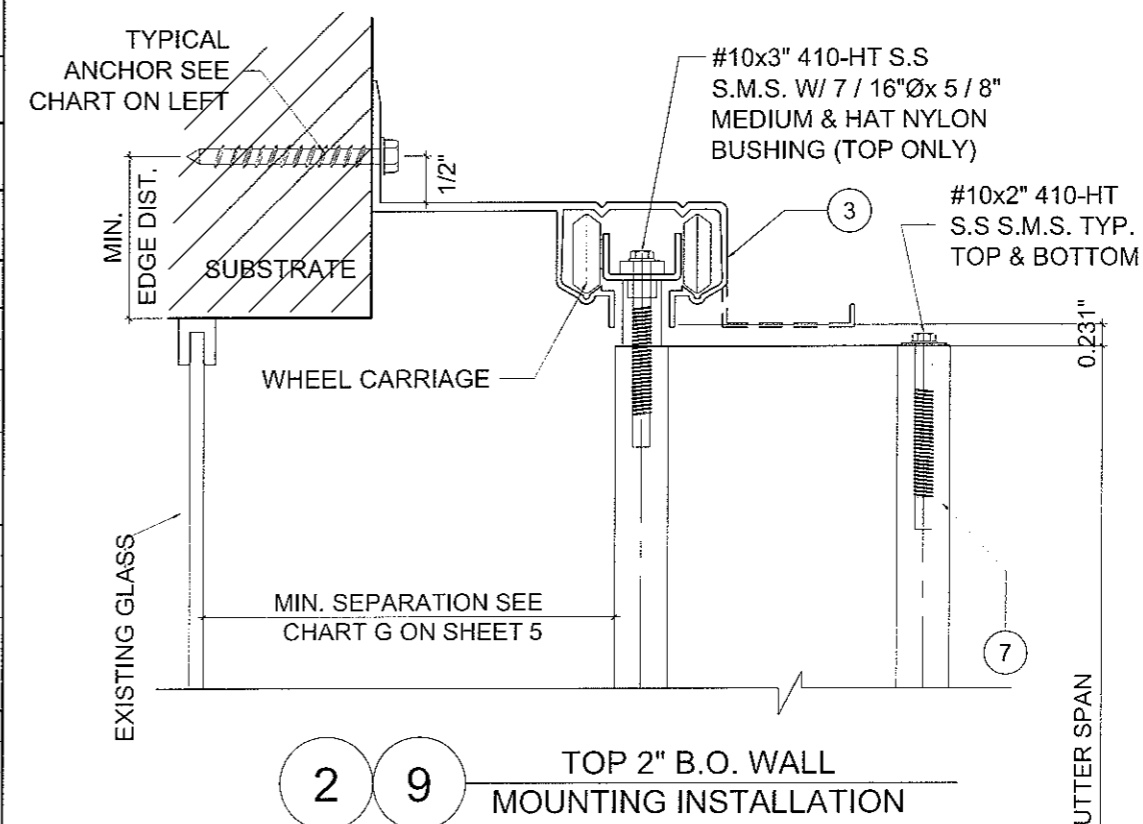
| | | | |
|-----------|-----|------|-------------|
| REVISIONS | NO. | DATE | DESCRIPTION |
| | | | |

MCY
MCY ENGINEERING, INC.
GLAZING CONSULTANTS
8501 SW 124 AVE. STE. 205A
MIAMI, FL 33183
P: 305.271.0117
F: 786.573.5063
www.MCYEngineering.com
MCY.Engineering@Att.net

GSS - 1 GENESIS SHUTTER SYSTEM
GENESIS SHUTTER GROUP, INC.
9811 NW 80 AVE. BAY 7A / 7B
HIALEAH GARDENS, FL 33016
P: (305) 733 - 6235 F: (305) 846 - 9413

| | |
|-------------|------------|
| DATE | 4-27-12 |
| SCALE | AS NOTED |
| DRAWN | S.L. |
| PROJECT | MCY 12-087 |
| DRAWING NO. | AD12-37 |
| | 5 OF 15 |

| DESIGN LOAD VS SPAN AND ANCHOR SPACING CHART | | | | | | | DESIGN LOAD VS SPAN AND ANCHOR SPACING CHART | | | | | | |
|--|--------------|----------------------|----------------------|----------------------|----------------------|----------------------|--|--------------|----------------------|----------------------|----------------------|----------------------|----------------------|
| MAX. DESIGN LOAD | SHUTTER SPAN | SECTION 2 & 9 (TOP) | | | | | MAX. DESIGN LOAD | SHUTTER SPAN | SECTION 2 (BOTTOM) | | | | |
| | | CONCRETE | CONCRETE | WOOD STRUCTURE | CONCRETE BLOCK | CONCRETE BLOCK | | | CONCRETE | CONCRETE | WOOD STRUCTURE | CONCRETE BLOCK | CONCRETE BLOCK |
| | | ANCHOR SPACING (in.) | ANCHOR SPACING (in.) | ANCHOR SPACING (in.) | ANCHOR SPACING (in.) | ANCHOR SPACING (in.) | | | ANCHOR SPACING (in.) | ANCHOR SPACING (in.) | ANCHOR SPACING (in.) | ANCHOR SPACING (in.) | ANCHOR SPACING (in.) |
| (PSF) | (INCH) | TYPE A/B/C/F | TYPE E | TYPE H/G | TYPE A1/B1/D1/E1 | TYPE C1/F1 | (PSF) | (INCH) | TYPE A/B/C/F | TYPE E | TYPE H/G | TYPE A1/B1/D1/E1 | TYPE C1/F1 |
| 40 | 60" | 12.0 | 12.0 | 12.0 | 9.1 | 12.0 | 40 | 60" | 12.0 | 12.0 | 12.0 | 7.5 | 12.0 |
| | 78" | 12.0 | 12.0 | 12.0 | 7.0 | 12.0 | | 78" | 12.0 | 12.0 | 12.0 | 5.8 | 10.1 |
| | 96" | 12.0 | 12.0 | 12.0 | 5.7 | 9.9 | | 96" | 12.0 | 10.4 | 12.0 | 4.7 | 8.2 |
| | 114" | 12.0 | 10.7 | 12.0 | 4.8 | 8.4 | | 114" | 11.9 | 8.8 | 12.0 | 4.0 | 6.9 |
| | 120" | 12.0 | 10.1 | 12.0 | 4.6 | 7.9 | | 120" | 11.3 | 8.3 | 12.0 | 3.8 | 6.5 |
| | 132" | 12.0 | 9.2 | 12.0 | 4.2 | 7.2 | | 132" | 10.3 | 7.6 | 12.0 | 3.4 | 5.9 |
| 141" | 11.7 | 8.6 | 12.0 | 3.9 | 6.8 | 141" | 9.6 | 7.1 | 11.4 | 3.2 | 5.6 | | |
| 50 | 60" | 12.0 | 12.0 | 12.0 | 7.3 | 12.0 | 50 | 60" | 12.0 | 12.0 | 12.0 | 6.0 | 10.5 |
| | 78" | 12.0 | 12.0 | 12.0 | 5.6 | 9.8 | | 78" | 12.0 | 10.3 | 12.0 | 4.6 | 8.0 |
| | 96" | 12.0 | 10.1 | 12.0 | 4.6 | 7.9 | | 96" | 11.3 | 8.3 | 12.0 | 3.8 | 6.5 |
| | 114" | 11.6 | 8.5 | 12.0 | 3.9 | 6.7 | | 114" | 9.5 | 7.0 | 11.3 | 3.2 | 5.5 |
| | 120" | 11.0 | 8.1 | 12.0 | 3.7 | 6.4 | | 120" | 9.0 | 6.7 | 10.7 | 3.0 | 5.2 |
| | 132" | 10.0 | 7.4 | 11.9 | 3.3 | 5.8 | | 132" | 8.2 | 6.1 | 9.8 | - | 4.8 |
| 60 | 60" | 12.0 | 12.0 | 12.0 | 6.1 | 10.6 | 60 | 60" | 12.0 | 11.1 | 12.0 | 5.0 | 8.7 |
| | 78" | 12.0 | 10.4 | 12.0 | 4.7 | 8.1 | | 78" | 11.6 | 8.6 | 12.0 | 3.9 | 6.7 |
| | 96" | 11.5 | 8.4 | 12.0 | 3.8 | 6.6 | | 96" | 9.4 | 7.0 | 11.2 | 3.1 | 5.4 |
| | 114" | 9.6 | 7.1 | 11.4 | 3.2 | 5.6 | | 114" | 7.9 | 5.9 | 9.4 | - | 4.6 |
| | 126" | 8.7 | 6.4 | 10.4 | - | 5.0 | | 126" | 7.2 | 5.3 | 8.5 | - | 4.2 |
| | 60" | 12.0 | 11.6 | 12.0 | 5.2 | 9.1 | | 60" | 12.0 | 9.5 | 12.0 | 4.3 | 7.5 |
| 70 | 78" | 12.0 | 8.9 | 12.0 | 4.0 | 7.0 | 70 | 78" | 9.9 | 7.3 | 11.8 | 3.3 | 5.7 |
| | 96" | 9.8 | 7.2 | 11.6 | 3.3 | 5.7 | | 96" | 8.1 | 6.0 | 9.6 | - | 4.7 |
| | 114" | 8.3 | 6.1 | 9.8 | - | 4.8 | | 114" | 6.8 | 5.0 | 8.1 | - | 3.9 |
| | 118" | 7.9 | 5.8 | 9.4 | - | 4.6 | | 118" | 6.5 | 4.8 | 7.7 | - | 3.8 |
| | 60" | 12.0 | 10.1 | 12.0 | 4.6 | 7.9 | | 60" | 11.3 | 8.3 | 12.0 | 3.8 | 6.5 |
| | 78" | 10.6 | 7.8 | 12.0 | 3.5 | 6.1 | | 78" | 8.7 | 6.4 | 10.3 | - | 5.0 |
| 80 | 96" | 8.6 | 6.3 | 10.2 | - | 5.0 | 96" | 7.1 | 5.2 | 8.4 | - | 4.1 | |
| | 111" | 7.4 | 5.5 | 8.8 | - | 4.3 | 111" | 6.1 | 4.5 | 7.3 | - | 3.5 | |
| | 60" | 12.0 | 9.0 | 12.0 | 4.1 | 7.1 | 60" | 10.1 | 7.4 | 11.9 | 3.3 | 5.8 | |
| | 78" | 9.4 | 6.9 | 11.1 | 3.1 | 5.4 | 78" | 7.7 | 5.7 | 9.2 | - | 4.5 | |
| | 96" | 7.6 | 5.6 | 9.1 | - | 4.4 | 96" | 6.3 | 4.6 | 7.5 | - | 3.6 | |
| | 105" | 7.0 | 5.1 | 8.3 | - | 4.0 | 105" | 5.7 | 4.2 | 6.8 | - | 3.3 | |
| 100 | 60" | 11.0 | 8.1 | 12.0 | 3.7 | 6.4 | 60" | 9.0 | 6.7 | 10.7 | 3.0 | 5.2 | |
| | 78" | 8.5 | 6.2 | 10.0 | - | 4.9 | 78" | 7.0 | 5.1 | 8.3 | - | 4.0 | |
| | 96" | 6.9 | 5.1 | 8.2 | - | 4.0 | 96" | 5.7 | 4.2 | 6.7 | - | 3.3 | |
| | 99" | 6.7 | 4.9 | 7.9 | - | 3.9 | 99" | 5.5 | 4.0 | 6.5 | - | 3.2 | |
| | 48" | 11.5 | 8.4 | 12.0 | 3.8 | 6.6 | 48" | 9.4 | 7.0 | 11.2 | 3.1 | 5.4 | |
| | 60" | 9.2 | 6.8 | 10.9 | 3.0 | 5.3 | 60" | 7.5 | 5.6 | 8.9 | - | 4.4 | |
| 120 | 78" | 7.0 | 5.2 | 8.4 | - | 4.1 | 78" | 5.8 | 4.3 | 6.9 | - | 3.4 | |
| | 91" | 6.0 | 4.5 | 7.2 | - | 3.5 | 91" | 5.0 | 3.7 | 5.9 | - | - | |
| | 48" | 9.8 | 7.2 | 11.6 | 3.3 | 5.7 | 48" | 8.1 | 6.0 | 9.6 | - | 4.7 | |
| | 60" | 7.9 | 5.8 | 9.3 | - | 4.5 | 60" | 6.5 | 4.8 | 7.7 | - | 3.7 | |
| | 78" | 6.0 | 4.5 | 7.2 | - | 3.5 | 78" | 5.0 | 3.7 | 5.9 | - | - | |
| | 81" | 5.8 | 4.3 | 6.9 | - | 3.4 | 81" | 4.8 | 3.5 | 5.7 | - | - | |
| 140 | 48" | 8.6 | 6.3 | 10.2 | - | 5.0 | 48" | 7.1 | 5.2 | 8.4 | - | 4.1 | |
| | 60" | 6.9 | 5.1 | 8.2 | - | 4.0 | 60" | 5.7 | 4.2 | 6.7 | - | 3.3 | |
| | 70" | 5.8 | 4.3 | 6.9 | - | 3.4 | 70" | 4.8 | 3.5 | 5.7 | - | - | |
| | 48" | 8.6 | 6.3 | 10.2 | - | 5.0 | 48" | 7.1 | 5.2 | 8.4 | - | 4.1 | |
| | 60" | 6.9 | 5.1 | 8.2 | - | 4.0 | 60" | 5.7 | 4.2 | 6.7 | - | 3.3 | |
| | 70" | 5.8 | 4.3 | 6.9 | - | 3.4 | 70" | 4.8 | 3.5 | 5.7 | - | - | |



| NO. | DATE | DESCRIPTION |
|-----|------|-------------|
| | | |
| | | |
| | | |

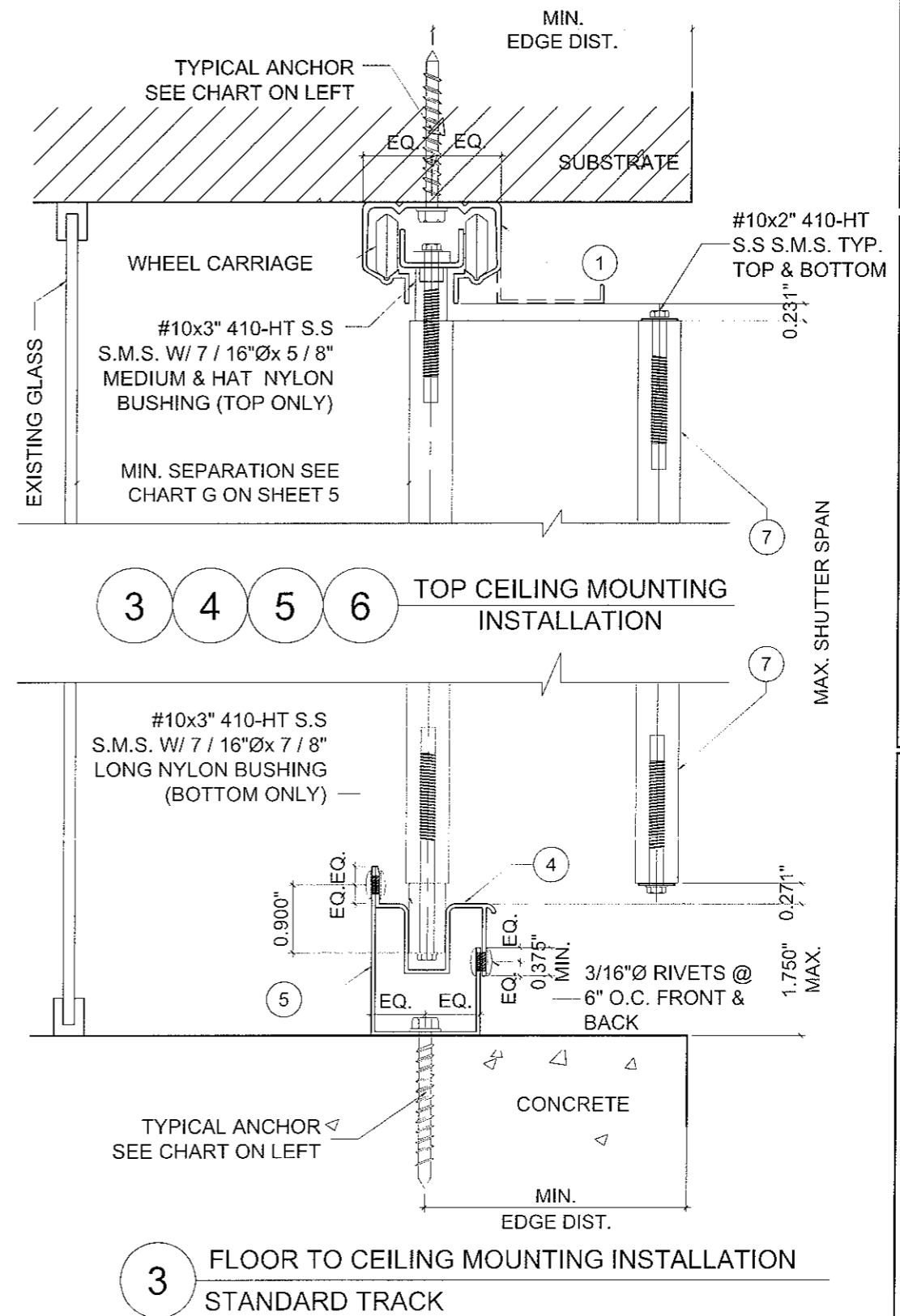
MCY ENGINEERING, INC.
GLAZING CONSULTANTS
8501 SW 124 AVE. STE. 205A P: 305.271.0117
MIAMI, FL. 33183 F: 786.573.5063
www.MCYEngineering.com MCY.Engineering@Att.net

GSS - 1 GENESIS SHUTTER SYSTEM
GENESIS SHUTTER GROUP, INC.
9811 NW 80 AVE. BAY 7A / 7B
HIALEAH GARDENS, FL. 33016
P: (305) 733 - 6235 F: (305) 846 - 9413

YIPING WANG, P.E.
FLORIDA REGISTRATION
No. 55882867
APR 27 2012

| | |
|-------------|------------|
| DATE | 4-27-12 |
| SCALE | AS NOTED |
| DRAWN | S.L. |
| PROJECT | MCY 12-087 |
| DRAWING NO. | AD12-37 |
| 6 OF 15 | |

| DESIGN LOAD VS SPAN AND ANCHOR SPACING CHART | | | | | | | | DESIGN LOAD VS SPAN AND ANCHOR SPACING CHART | | | | | | | |
|--|--------------|----------------------|----------------------|----------------------|----------------------|----------------------|----------------------|--|--------------|----------------------|----------------------|----------------------|----------------------|----------------------|--|
| MAX. DESIGN LOAD | SHUTTER SPAN | SECTION 3 - 6 (TOP) | | | | | | MAX. DESIGN LOAD | SHUTTER SPAN | SECTION 3 (BOTTOM) | | | | | |
| | | CONCRETE | CONCRETE | CONCRETE | WOOD | CONCRETE BLOCK | CONCRETE BLOCK | | | CONCRETE | CONCRETE | CONCRETE | CONCRETE BLOCK | CONCRETE BLOCK | |
| | | ANCHOR SPACING (in.) | ANCHOR SPACING (in.) | ANCHOR SPACING (in.) | ANCHOR SPACING (in.) | ANCHOR SPACING (in.) | ANCHOR SPACING (in.) | | | ANCHOR SPACING (in.) | ANCHOR SPACING (in.) | ANCHOR SPACING (in.) | ANCHOR SPACING (in.) | ANCHOR SPACING (in.) | |
| (PSF) | (INCH) | TYPE A/B | TYPE C/F | TYPE D/E | TYPE H/G | TYPE A1/B1/D1 | TYPE E1 | (PSF) | (INCH) | TYPE A/B | TYPE C/F | TYPE D/E | TYPE A1/B1/D1 | TYPE E1 | |
| 40 | 60" | 12.0 | 12.0 | 12.0 | 12.0 | 12.0 | 12.0 | 40 | 60" | 9.0 | 9.0 | 9.0 | 9.0 | 9.0 | |
| | 78" | 12.0 | 12.0 | 12.0 | 12.0 | 11.3 | 10.9 | | 78" | 9.0 | 9.0 | 9.0 | 7.3 | 7.9 | |
| | 96" | 12.0 | 12.0 | 12.0 | 11.2 | 9.2 | 8.9 | | 96" | 9.0 | 9.0 | 9.0 | 5.9 | 6.4 | |
| | 114" | 12.0 | 12.0 | 12.0 | 9.4 | 7.7 | 7.5 | | 114" | 9.0 | 9.0 | 8.9 | 5.0 | 5.4 | |
| | 120" | 12.0 | 12.0 | 11.7 | 9.0 | 7.3 | 7.1 | | 120" | 9.0 | 9.0 | 8.4 | 4.8 | 5.1 | |
| | 132" | 12.0 | 12.0 | 10.7 | 8.1 | 6.7 | 6.4 | | 132" | 9.0 | 9.0 | 7.7 | 4.3 | 4.6 | |
| 141" | 11.9 | 12.0 | 10.0 | 7.6 | 6.2 | 6.0 | 141" | 8.9 | 9.0 | 7.2 | 4.0 | 4.4 | | | |
| 50 | 60" | 12.0 | 12.0 | 12.0 | 12.0 | 11.9 | 11.4 | 50 | 60" | 9.0 | 9.0 | 9.0 | 7.6 | 8.2 | |
| | 78" | 12.0 | 12.0 | 12.0 | 11.1 | 9.2 | 8.8 | | 78" | 9.0 | 9.0 | 9.0 | 5.9 | 6.3 | |
| | 96" | 12.0 | 12.0 | 11.8 | 9.0 | 7.4 | 7.2 | | 96" | 9.0 | 9.0 | 8.4 | 4.8 | 5.1 | |
| | 114" | 11.9 | 12.0 | 10.0 | 7.6 | 6.3 | 6.0 | | 114" | 8.8 | 9.0 | 7.1 | 4.0 | 4.3 | |
| | 120" | 11.3 | 12.0 | 9.5 | 7.2 | 6.0 | 5.7 | | 120" | 8.3 | 9.0 | 6.7 | 3.8 | 4.1 | |
| | 132" | 10.3 | 12.0 | 8.6 | 6.5 | 5.4 | 5.2 | | 132" | 7.6 | 9.0 | 6.1 | 3.5 | 3.7 | |
| 60 | 60" | 12.0 | 12.0 | 12.0 | 12.0 | 10.0 | 9.6 | 60 | 60" | 9.0 | 9.0 | 9.0 | 6.3 | 6.8 | |
| | 78" | 12.0 | 12.0 | 12.0 | 9.3 | 7.7 | 7.4 | | 78" | 9.0 | 9.0 | 8.6 | 4.9 | 5.2 | |
| | 96" | 11.9 | 12.0 | 9.9 | 7.5 | 6.3 | 6.0 | | 96" | 8.7 | 9.0 | 7.0 | 4.0 | 4.3 | |
| | 114" | 10.0 | 12.0 | 8.4 | 6.3 | 5.3 | 5.1 | | 114" | 7.3 | 9.0 | 5.9 | 3.3 | 3.6 | |
| | 126" | 9.0 | 12.0 | 7.6 | 5.7 | 4.8 | 4.6 | | 126" | 6.6 | 8.4 | 5.4 | 3.0 | 3.2 | |
| | 60" | 12.0 | 12.0 | 12.0 | 10.3 | 8.6 | 8.3 | | 60" | 9.0 | 9.0 | 9.0 | 5.4 | 5.8 | |
| 70 | 78" | 12.0 | 12.0 | 10.5 | 8.0 | 6.7 | 6.4 | 70 | 78" | 9.0 | 9.0 | 7.4 | 4.2 | 4.5 | |
| | 96" | 10.2 | 12.0 | 8.6 | 6.5 | 5.4 | 5.2 | | 96" | 7.4 | 9.0 | 6.0 | 3.4 | 3.7 | |
| | 114" | 8.6 | 11.9 | 7.2 | 5.4 | 4.6 | 4.4 | | 114" | 6.3 | 7.9 | 5.1 | - | 3.1 | |
| | 118" | 8.2 | 11.4 | 6.9 | 5.2 | 4.4 | 4.2 | | 118" | 6.0 | 7.6 | 4.9 | - | - | |
| | 60" | 12.0 | 12.0 | 12.0 | 9.1 | 7.6 | 7.3 | | 60" | 9.0 | 9.0 | 8.4 | 4.8 | 5.1 | |
| | 78" | 11.0 | 12.0 | 9.2 | 7.0 | 5.9 | 5.6 | | 78" | 8.0 | 9.0 | 6.5 | 3.7 | 3.9 | |
| 80 | 96" | 9.0 | 12.0 | 7.5 | 5.7 | 4.8 | 4.5 | 80 | 96" | 6.5 | 8.3 | 5.3 | - | 3.2 | |
| | 111" | 7.8 | 10.7 | 6.5 | 4.9 | 4.1 | 3.9 | | 111" | 5.6 | 7.1 | 4.6 | - | - | |
| | 60" | 12.0 | 12.0 | 10.7 | 8.1 | 6.8 | 6.5 | | 60" | 9.0 | 9.0 | 7.5 | 4.2 | 4.5 | |
| | 78" | 9.8 | 12.0 | 8.2 | 6.2 | 5.2 | 5.0 | | 78" | 7.1 | 9.0 | 5.8 | 3.3 | 3.5 | |
| | 96" | 8.0 | 11.1 | 6.7 | 5.0 | 4.2 | 4.0 | | 96" | 5.8 | 7.3 | 4.7 | - | - | |
| | 105" | 7.3 | 10.1 | 6.1 | 4.6 | 3.9 | 3.7 | | 105" | 5.3 | 6.7 | 4.3 | - | - | |
| 100 | 60" | 11.5 | 12.0 | 9.7 | 7.3 | 6.1 | 5.8 | 100 | 60" | 8.3 | 9.0 | 6.7 | 3.8 | 4.1 | |
| | 78" | 8.9 | 12.0 | 7.4 | 5.6 | 4.7 | 4.5 | | 78" | 6.4 | 8.1 | 5.2 | - | 3.1 | |
| | 96" | 7.2 | 10.0 | 6.0 | 4.5 | 3.8 | 3.6 | | 96" | 5.2 | 6.6 | 4.2 | - | - | |
| | 99" | 7.0 | 9.7 | 5.9 | 4.4 | 3.7 | 3.5 | | 99" | 5.1 | 6.4 | 4.1 | - | - | |
| | 48" | 12.0 | 12.0 | 10.1 | 7.6 | 6.4 | 6.1 | | 48" | 8.7 | 9.0 | 7.0 | 4.0 | 4.3 | |
| | 60" | 9.6 | 12.0 | 8.1 | 6.1 | 5.1 | 4.9 | | 60" | 7.0 | 8.8 | 5.6 | 3.2 | 3.4 | |
| 120 | 78" | 7.4 | 10.3 | 6.2 | 4.7 | 3.9 | 3.8 | 120 | 78" | 5.3 | 6.8 | 4.3 | - | - | |
| | 91" | 6.4 | 8.8 | 5.3 | 4.0 | 3.4 | 3.2 | | 91" | 4.6 | 5.8 | 3.7 | - | - | |
| | 48" | 10.3 | 12.0 | 8.7 | 6.5 | 5.5 | 5.2 | | 48" | 7.4 | 9.0 | 6.0 | 3.4 | 3.7 | |
| | 60" | 8.3 | 11.5 | 6.9 | 5.2 | 4.4 | 4.2 | | 60" | 6.0 | 7.6 | 4.8 | - | - | |
| | 78" | 6.4 | 8.8 | 5.3 | 4.0 | 3.4 | 3.2 | | 78" | 4.6 | 5.8 | 3.7 | - | - | |
| | 81" | 6.1 | 8.5 | 5.1 | 3.9 | 3.3 | 3.1 | | 81" | 4.4 | 5.6 | 3.6 | - | - | |
| 140 | 48" | 9.1 | 12.0 | 7.6 | 5.7 | 4.8 | 4.6 | 140 | 48" | 6.5 | 8.3 | 5.3 | - | 3.2 | |
| | 60" | 7.3 | 10.1 | 6.1 | 4.6 | 3.9 | 3.7 | | 60" | 5.2 | 6.6 | 4.2 | - | - | |
| | 70" | 6.1 | 8.5 | 5.1 | 3.9 | 3.3 | 3.1 | | 70" | 4.4 | 5.6 | 3.6 | - | - | |
| | 48" | 12.0 | 12.0 | 10.1 | 7.6 | 6.4 | 6.1 | | 48" | 8.7 | 9.0 | 7.0 | 4.0 | 4.3 | |
| | 60" | 9.6 | 12.0 | 8.1 | 6.1 | 5.1 | 4.9 | | 60" | 7.0 | 8.8 | 5.6 | 3.2 | 3.4 | |
| | 78" | 7.4 | 10.3 | 6.2 | 4.7 | 3.9 | 3.8 | | 78" | 5.3 | 6.8 | 4.3 | - | - | |
| 150 | 91" | 6.4 | 8.8 | 5.3 | 4.0 | 3.4 | 3.2 | 150 | 91" | 4.6 | 5.8 | 3.7 | - | - | |
| | 48" | 10.3 | 12.0 | 8.7 | 6.5 | 5.5 | 5.2 | | 48" | 7.4 | 9.0 | 6.0 | 3.4 | 3.7 | |
| | 60" | 8.3 | 11.5 | 6.9 | 5.2 | 4.4 | 4.2 | | 60" | 6.0 | 7.6 | 4.8 | - | - | |
| | 78" | 6.4 | 8.8 | 5.3 | 4.0 | 3.4 | 3.2 | | 78" | 4.6 | 5.8 | 3.7 | - | - | |
| | 81" | 6.1 | 8.5 | 5.1 | 3.9 | 3.3 | 3.1 | | 81" | 4.4 | 5.6 | 3.6 | - | - | |
| | 48" | 9.1 | 12.0 | 7.6 | 5.7 | 4.8 | 4.6 | | 48" | 6.5 | 8.3 | 5.3 | - | 3.2 | |
| 150 | 60" | 7.3 | 10.1 | 6.1 | 4.6 | 3.9 | 3.7 | 150 | 60" | 5.2 | 6.6 | 4.2 | - | - | |
| | 70" | 6.1 | 8.5 | 5.1 | 3.9 | 3.3 | 3.1 | | 70" | 4.4 | 5.6 | 3.6 | - | - | |



| NO. | DATE | DESCRIPTION |
|-----|------|-------------|
| | | |
| | | |
| | | |

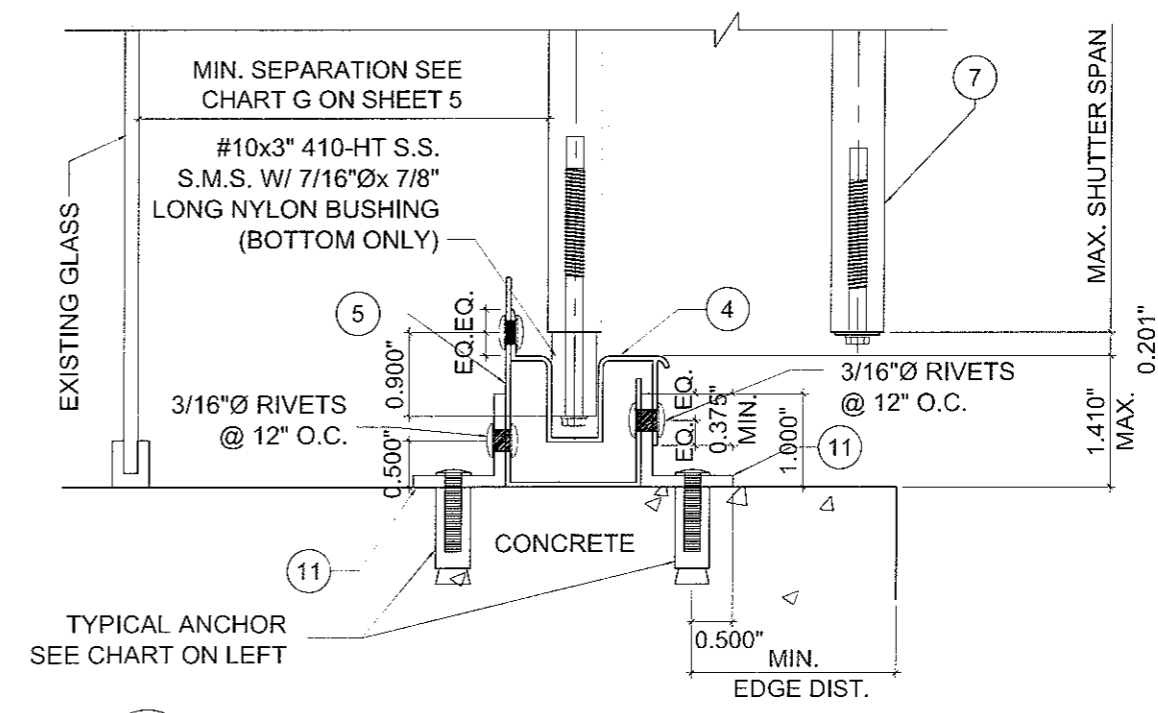
MCY ENGINEERING, INC.
GLAZING CONSULTANTS
8501 SW 124 AVE. STE. 205A MIAMI, FL. 33185
P: 305.271.0117 F: 786.573.5063
www.MCYEngineering.com MCY.Engineering@Att.net

GSS - 1 GENESIS SHUTTER SYSTEM
GENESIS SHUTTER GROUP, INC.
9811 NW 80 AVE. BAY 7A / 7B HIALEAH GARDENS, FL. 33016
P: (305) 733 - 6235 F: (305) 846 - 9413

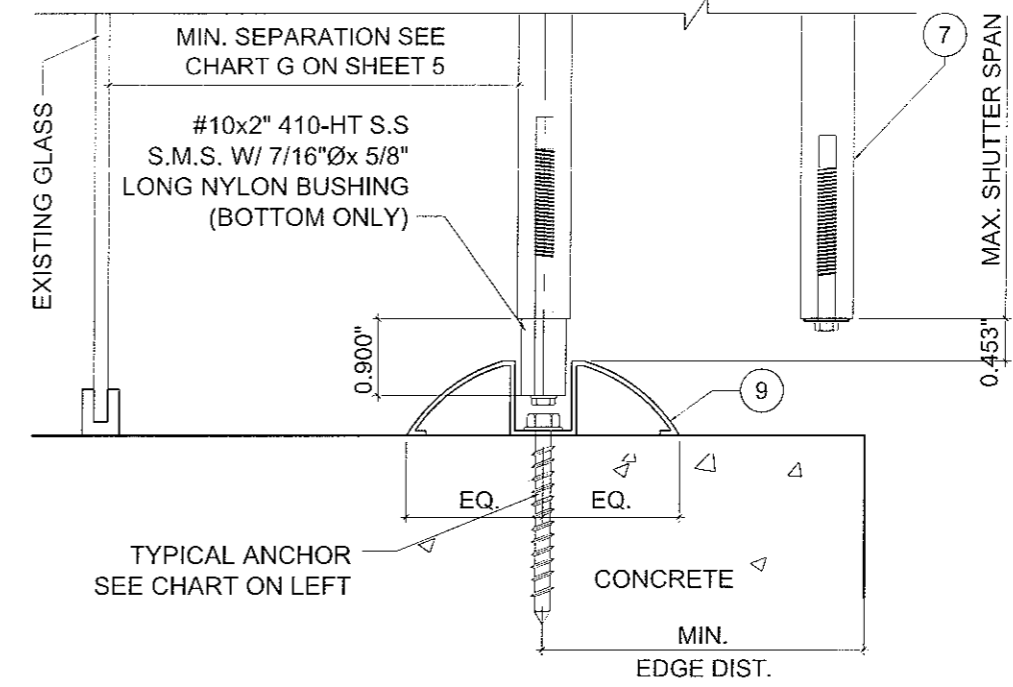
YIPING WANG, P.E.
FLORIDA REGISTRATION
No. 55982867
APR 27 2012

| | |
|-------------|------------|
| DATE | 4-27-12 |
| SCALE | AS NOTED |
| DRAWN | S.L. |
| PROJECT | MCY 12-087 |
| DRAWING NO. | AD12-37 |
| 7 OF 15 | |

| DESIGN LOAD VS SPAN AND ANCHOR SPACING CHART | | | | | | | DESIGN LOAD VS SPAN AND ANCHOR SPACING CHART | | | | | | | | |
|--|--------------|----------------------|----------------------|----------------------|----------------------|----------------------|--|--------------|----------------------|----------------------|----------------------|----------------------|----------------------|-----|-----|
| MAX. DESIGN LOAD | SHUTTER SPAN | SECTION 4 (BOTTOM) | | | | | MAX. DESIGN LOAD | SHUTTER SPAN | SECTION 5 (BOTTOM) | | | | | | |
| | | CONCRETE | CONCRETE | CONCRETE | CONCRETE BLOCK | CONCRETE BLOCK | | | CONCRETE | CONCRETE | CONCRETE | CONCRETE BLOCK | CONCRETE BLOCK | | |
| | | ANCHOR SPACING (in.) | ANCHOR SPACING (in.) | ANCHOR SPACING (in.) | ANCHOR SPACING (in.) | ANCHOR SPACING (in.) | | | ANCHOR SPACING (in.) | ANCHOR SPACING (in.) | ANCHOR SPACING (in.) | ANCHOR SPACING (in.) | ANCHOR SPACING (in.) | | |
| (PSF) | (INCH) | TYPE A/B | TYPE C/F | TYPE D/E | TYPE A1/B1/D1 | TYPE E1 | (PSF) | (INCH) | TYPE A/B | TYPE C/F | TYPE D/E | TYPE A1/B1/D1 | TYPE E1 | | |
| 40 | 60" | 12.0 | 12.0 | 12.0 | 12.0 | 12.0 | 40 | 60" | 7.7 | 7.7 | 7.7 | 7.7 | 7.7 | | |
| | 78" | 12.0 | 12.0 | 12.0 | 12.0 | 12.0 | | 78" | 7.7 | 7.7 | 7.7 | 7.7 | 7.7 | | |
| | 96" | 12.0 | 12.0 | 12.0 | 12.0 | 10.9 | | 96" | 7.7 | 7.7 | 7.7 | 7.7 | 7.7 | | |
| | 114" | 12.0 | 12.0 | 12.0 | 10.5 | 9.1 | | 114" | 7.7 | 7.7 | 7.7 | 7.7 | 7.7 | | |
| | 120" | 12.0 | 12.0 | 12.0 | 9.9 | 8.7 | | 120" | 7.7 | 7.7 | 7.7 | 7.7 | 7.7 | | |
| | 132" | 12.0 | 12.0 | 12.0 | 9.0 | 7.9 | | 132" | 7.7 | 7.7 | 7.7 | 7.7 | 7.7 | | |
| 50 | 60" | 12.0 | 12.0 | 12.0 | 12.0 | 12.0 | 50 | 60" | 7.7 | 7.7 | 7.7 | 7.7 | 7.7 | | |
| | 78" | 12.0 | 12.0 | 12.0 | 12.0 | 10.7 | | 78" | 7.7 | 7.7 | 7.7 | 7.7 | 7.7 | | |
| | 96" | 12.0 | 12.0 | 12.0 | 9.9 | 8.7 | | 96" | 7.7 | 7.7 | 7.7 | 7.7 | 7.7 | | |
| | 114" | 12.0 | 12.0 | 12.0 | 8.4 | 7.3 | | 114" | 7.7 | 7.7 | 7.7 | 7.7 | 7.7 | | |
| | 120" | 12.0 | 12.0 | 11.6 | 7.9 | 7.0 | | 120" | 7.7 | 7.7 | 7.7 | 7.7 | 7.5 | | |
| | 132" | 12.0 | 12.0 | 10.5 | 7.2 | 6.3 | | 132" | 7.7 | 7.7 | 7.7 | 7.7 | 6.8 | | |
| 60 | 60" | 12.0 | 12.0 | 12.0 | 12.0 | 12.0 | 60 | 60" | 7.7 | 7.7 | 7.7 | 7.7 | 7.7 | | |
| | 78" | 12.0 | 12.0 | 12.0 | 12.0 | 12.0 | | 78" | 7.7 | 7.7 | 7.7 | 7.7 | 7.7 | | |
| | 96" | 12.0 | 12.0 | 12.0 | 12.0 | 11.9 | | 96" | 7.7 | 7.7 | 7.7 | 7.7 | 7.7 | | |
| | 114" | 12.0 | 12.0 | 12.0 | 10.4 | 10.0 | | 114" | 7.7 | 7.7 | 7.7 | 7.7 | 6.5 | | |
| | 126" | 12.0 | 12.0 | 12.0 | 9.4 | 9.1 | | 126" | 7.7 | 7.7 | 7.7 | 7.1 | 5.9 | | |
| | 70 | 60" | 12.0 | 12.0 | 12.0 | 12.0 | | 12.0 | 70 | 60" | 7.7 | 7.7 | 7.7 | 7.7 | 7.7 |
| 78" | | 12.0 | 12.0 | 12.0 | 12.0 | 12.0 | 78" | 7.7 | | 7.7 | 7.7 | 7.7 | 7.7 | | |
| 96" | | 12.0 | 12.0 | 12.0 | 10.6 | 10.2 | 96" | 7.7 | | 7.7 | 7.7 | 7.7 | 6.7 | | |
| 114" | | 12.0 | 12.0 | 12.0 | 8.9 | 8.6 | 114" | 7.7 | | 7.7 | 7.7 | 6.7 | 5.6 | | |
| 118" | | 12.0 | 12.0 | 12.0 | 8.6 | 8.2 | 118" | 7.7 | | 7.7 | 7.7 | 6.4 | 5.4 | | |
| 80 | | 60" | 12.0 | 12.0 | 12.0 | 12.0 | 12.0 | 80 | | 60" | 7.7 | 7.7 | 7.7 | 7.7 | 7.7 |
| | 78" | 12.0 | 12.0 | 12.0 | 11.4 | 11.0 | 78" | | 7.7 | 7.7 | 7.7 | 7.7 | 7.2 | | |
| | 96" | 12.0 | 12.0 | 12.0 | 9.3 | 8.9 | 96" | | 7.7 | 7.7 | 7.7 | 7.0 | 5.8 | | |
| | 111" | 12.0 | 12.0 | 12.0 | 8.0 | 7.7 | 111" | | 7.7 | 7.7 | 7.7 | 6.0 | 5.0 | | |
| | 90 | 60" | 12.0 | 12.0 | 12.0 | 12.0 | 12.0 | | 90 | 60" | 7.7 | 7.7 | 7.7 | 7.7 | 7.7 |
| | | 78" | 12.0 | 12.0 | 12.0 | 10.2 | 9.8 | | | 78" | 7.7 | 7.7 | 7.7 | 7.6 | 6.4 |
| 96" | | 12.0 | 12.0 | 12.0 | 8.3 | 7.9 | 96" | 7.7 | | 7.7 | 7.7 | 6.2 | 5.2 | | |
| 105" | | 12.0 | 12.0 | 12.0 | 7.5 | 7.3 | 105" | 7.7 | | 7.7 | 7.7 | 5.7 | 4.7 | | |
| 100 | | 60" | 12.0 | 12.0 | 12.0 | 11.9 | 11.4 | 100 | | 60" | 7.7 | 7.7 | 7.7 | 7.7 | 7.5 |
| | | 78" | 12.0 | 12.0 | 12.0 | 9.1 | 8.6 | | | 78" | 7.7 | 7.7 | 7.7 | 6.9 | 5.7 |
| | 96" | 12.0 | 12.0 | 11.8 | 7.4 | 7.1 | 96" | | 7.7 | 7.7 | 7.7 | 5.6 | 4.6 | | |
| | 99" | 12.0 | 12.0 | 11.5 | 7.2 | 6.9 | 99" | | 7.7 | 7.7 | 7.5 | 5.4 | 4.5 | | |
| | 120 | 48" | 12.0 | 12.0 | 12.0 | 12.0 | 11.9 | | 120 | 48" | 7.7 | 7.7 | 7.7 | 7.7 | 7.7 |
| | | 60" | 12.0 | 12.0 | 12.0 | 9.9 | 9.5 | | | 60" | 7.7 | 7.7 | 7.7 | 7.4 | 6.2 |
| 78" | | 12.0 | 12.0 | 12.0 | 7.6 | 7.3 | 78" | 7.7 | | 7.7 | 7.7 | 5.7 | 4.8 | | |
| 91" | | 12.0 | 12.0 | 10.4 | 6.5 | 6.3 | 91" | 7.7 | | 7.7 | 6.8 | 4.9 | 4.1 | | |
| 140 | | 48" | 12.0 | 12.0 | 12.0 | 10.6 | 10.2 | 140 | | 48" | 7.7 | 7.7 | 7.7 | 7.7 | 6.7 |
| | | 60" | 12.0 | 12.0 | 12.0 | 8.5 | 8.2 | | | 60" | 7.7 | 7.7 | 7.7 | 6.4 | 5.3 |
| | 78" | 12.0 | 12.0 | 10.4 | 6.5 | 6.3 | 78" | | 7.7 | 7.7 | 6.8 | 4.9 | 4.1 | | |
| | 81" | 12.0 | 12.0 | 10.0 | 6.3 | 6.0 | 81" | | 7.6 | 7.7 | 6.6 | 4.7 | 3.9 | | |
| | 150 | 48" | 12.0 | 12.0 | 12.0 | 9.3 | 8.9 | | 150 | 48" | 7.7 | 7.7 | 7.7 | 7.0 | 5.6 |
| | | 60" | 12.0 | 12.0 | 11.8 | 7.4 | 7.1 | | | 60" | 7.7 | 7.7 | 7.7 | 5.6 | 4.6 |
| 70" | | 11.9 | 12.0 | 10.0 | 6.3 | 6.0 | 70" | 7.5 | | 7.7 | 6.5 | 4.7 | 3.9 | | |



4 ADJUSTABLE FLOOR MOUNTING STANDARD TRACK



5 WALK OVER MOUNTING STANDARD TRACK

YIP NG WANG, P.E.
 FLORIDA REGISTRATION
 No. 55582867
 APR 27 2012

| | |
|-----------|------------------|
| REVISIONS | |
| NO. | DATE DESCRIPTION |
| | |
| | |

MCY ENGINEERING, INC.
 GLAZING CONSULTANTS
 8501 SW 124 AVE. STE. 205A
 MIAMI, FL. 33183
 P: 305.271.0117
 F: 786.573.5063
 www.MCYEngineering.com
 MCY.Engineering@Att.net

GSS - 1 GENESIS SHUTTER SYSTEM
GENESIS SHUTTER GROUP, INC.
 9811 NW 80 AVE. BAY 7A / 7B
 HIALEAH GARDENS, FL. 33016
 P: (305) 733 - 6235 F: (305) 846 - 9413

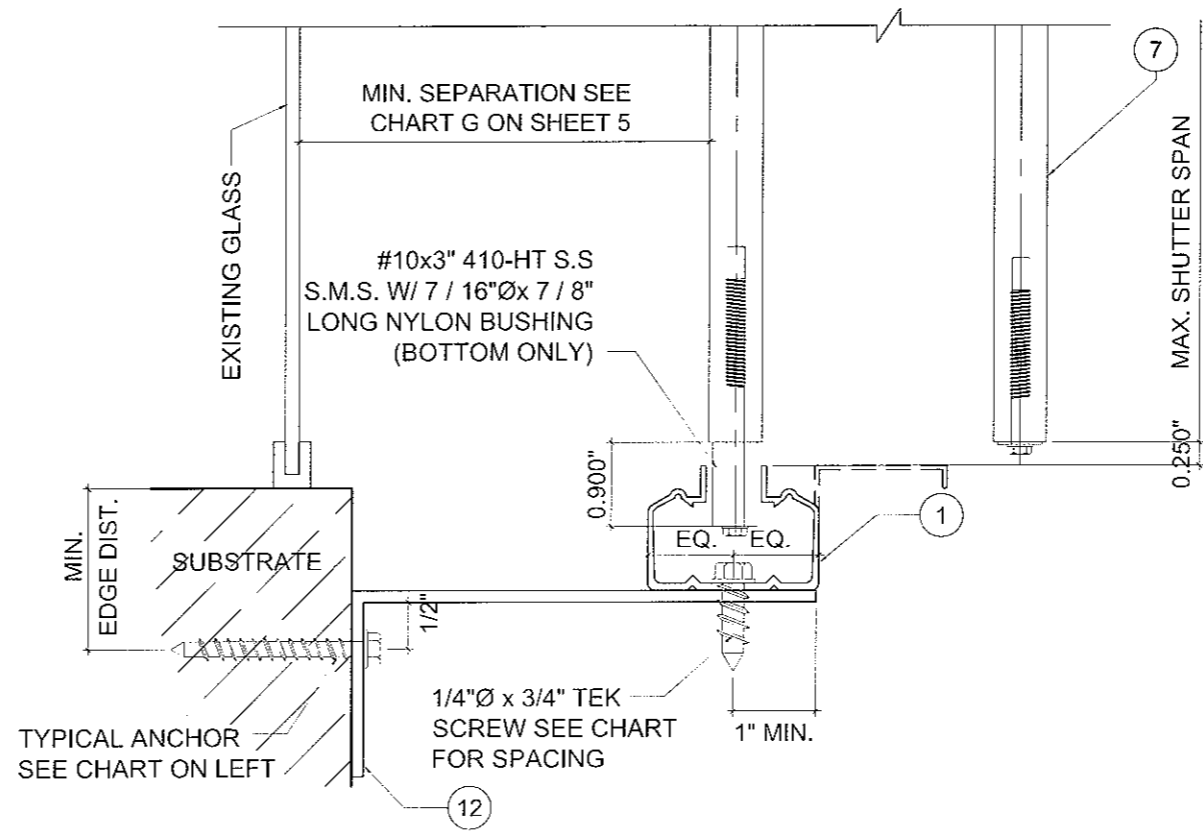
| | |
|---------|------------|
| DATE | 4-27-12 |
| SCALE | AS NOTED |
| DRAWN | S.L. |
| PROJECT | MCY 12-087 |

DRAWING NO.
AD12-37

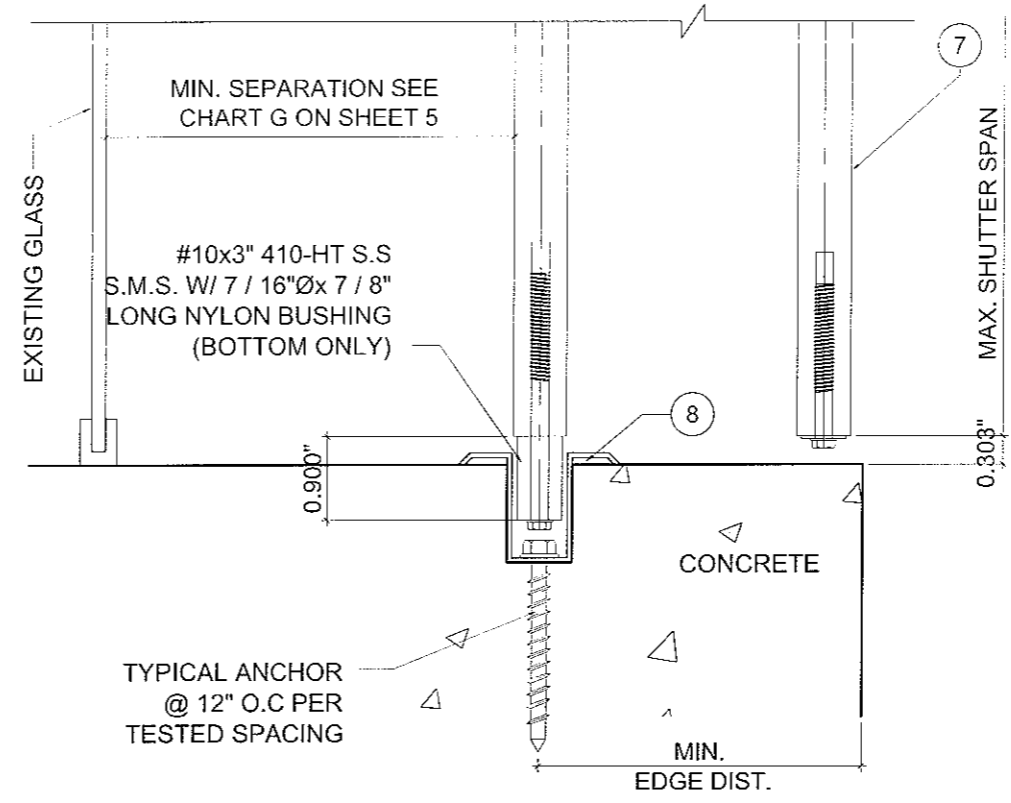
8 OF 15

DESIGN LOAD VS SPAN AND ANCHOR SPACING CHART

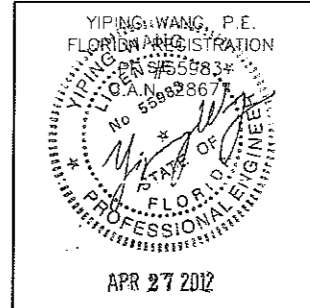
| MAX. DESIGN LOAD | SHUTTER SPAN | SECTION 8 (BOTTOM) | | | | | | |
|------------------|--------------|----------------------|----------------------|----------------------|------------------------|----------------------|----------------------|-----|
| | | CONCRETE | CONCRETE | WOOD | CONCRETE BLOCK | CONCRETE BLOCK | ALUM. 6063-T6 | |
| | | ANCHOR SPACING (in.) | ANCHOR SPACING (in.) | ANCHOR SPACING (in.) | ANCHOR SPACING (in.) | ANCHOR SPACING (in.) | ANCHOR SPACING (in.) | |
| (PSF) | (INCH) | TYPE A / B / C / F | TYPE E | TYPE H / G | TYPE A1 / B1 / D1 / E1 | TYPE C1 / F1 | 1/4" TEKS | |
| 40 | 60" | 9.0 | 9.0 | 9.0 | 9.0 | 9.0 | 9.0 | |
| | 78" | 9.0 | 9.0 | 9.0 | 7.6 | 9.0 | 9.0 | |
| | 96" | 9.0 | 9.0 | 9.0 | 6.1 | 9.0 | 9.0 | |
| | 114" | 9.0 | 9.0 | 9.0 | 5.2 | 9.0 | 9.0 | |
| | 120" | 9.0 | 9.0 | 9.0 | 4.9 | 8.5 | 9.0 | |
| | 132" | 9.0 | 9.0 | 9.0 | 4.5 | 7.8 | 9.0 | |
| 50 | 60" | 9.0 | 9.0 | 9.0 | 7.9 | 9.0 | 9.0 | |
| | 78" | 9.0 | 9.0 | 9.0 | 6.0 | 9.0 | 9.0 | |
| | 96" | 9.0 | 9.0 | 9.0 | 4.9 | 8.5 | 9.0 | |
| | 114" | 9.0 | 9.0 | 9.0 | 4.1 | 7.2 | 9.0 | |
| | 120" | 9.0 | 8.7 | 9.0 | 3.9 | 6.8 | 9.0 | |
| | 132" | 9.0 | 7.9 | 9.0 | 3.6 | 6.2 | 8.8 | |
| 60 | 60" | 9.0 | 9.0 | 9.0 | 6.5 | 9.0 | 9.0 | |
| | 78" | 9.0 | 9.0 | 9.0 | 5.0 | 8.8 | 9.0 | |
| | 96" | 9.0 | 9.0 | 9.0 | 4.1 | 7.1 | 9.0 | |
| | 114" | 9.0 | 7.6 | 9.0 | 3.4 | 6.0 | 8.5 | |
| | 126" | 9.0 | 6.9 | 9.0 | 3.1 | 5.4 | 7.7 | |
| | 70 | 60" | 9.0 | 9.0 | 9.0 | 5.6 | 9.0 | 9.0 |
| 78" | | 9.0 | 9.0 | 9.0 | 4.3 | 7.5 | 9.0 | |
| 96" | | 9.0 | 7.8 | 9.0 | 3.5 | 6.1 | 8.7 | |
| 114" | | 8.9 | 6.6 | 9.0 | - | 5.1 | 7.3 | |
| 118" | | 8.5 | 6.3 | 9.0 | - | 4.9 | 7.0 | |
| 80 | | 60" | 9.0 | 9.0 | 9.0 | 4.9 | 8.5 | 9.0 |
| | 78" | 9.0 | 8.4 | 9.0 | 3.8 | 6.6 | 9.0 | |
| | 96" | 9.0 | 6.8 | 9.0 | 3.1 | 5.3 | 7.6 | |
| | 111" | 8.0 | 5.9 | 9.0 | - | 4.6 | 7.0 | |
| | 90 | 60" | 9.0 | 9.0 | 9.0 | 4.4 | 7.6 | 9.0 |
| | | 78" | 9.0 | 7.4 | 9.0 | 3.4 | 5.8 | 8.3 |
| 96" | | 8.2 | 6.1 | 9.0 | - | 4.7 | 6.8 | |
| 105" | | 7.5 | 5.5 | 8.9 | - | 4.3 | 6.2 | |
| 100 | | 60" | 9.0 | 8.7 | 9.0 | 3.9 | 6.8 | 9.0 |
| | | 78" | 9.0 | 6.7 | 9.0 | 3.0 | 5.3 | 7.5 |
| | 96" | 7.4 | 5.4 | 8.8 | - | 4.3 | 6.1 | |
| | 99" | 7.2 | 5.3 | 8.5 | - | 4.1 | 5.9 | |
| | 120 | 48" | 9.0 | 9.0 | 9.0 | 4.1 | 7.1 | 9.0 |
| | | 60" | 9.0 | 7.3 | 9.0 | 3.3 | 5.7 | 8.1 |
| 78" | | 7.6 | 5.6 | 9.0 | - | 4.4 | 6.2 | |
| 91" | | 6.5 | 4.8 | 7.7 | - | 3.8 | 5.3 | |
| 140 | | 48" | 9.0 | 7.8 | 9.0 | 3.5 | 6.1 | 8.7 |
| | | 60" | 8.4 | 6.2 | 9.0 | - | 4.9 | 6.9 |
| | 78" | 6.5 | 4.8 | 7.7 | - | 3.8 | 5.3 | |
| | 81" | 6.2 | 4.6 | 7.4 | - | 3.6 | 5.1 | |
| | 150 | 48" | 9.0 | 6.8 | 9.0 | 3.1 | 5.3 | 7.6 |
| | | 60" | 7.4 | 5.4 | 8.8 | - | 4.3 | 6.1 |
| 70" | | 6.2 | 4.6 | 7.4 | - | 3.6 | 5.1 | |



8 B.O. WALL MOUNTING INSTALLATION STANDARD TRACK



6 TRENCH MOUNTING INSTALLATION STANDARD TRACK



| NO. | DATE | DESCRIPTION |
|-----|------|-------------|
| | | |
| | | |

MCY ENGINEERING, INC.
GLAZING CONSULTANTS

MCY

8501 SW 124 AVE. STE. 205A P: 305.271.0117
MIAMI, FL 33183 F: 786.573.5063

www.MCYEngineering.com MCY.Engineering@Att.net

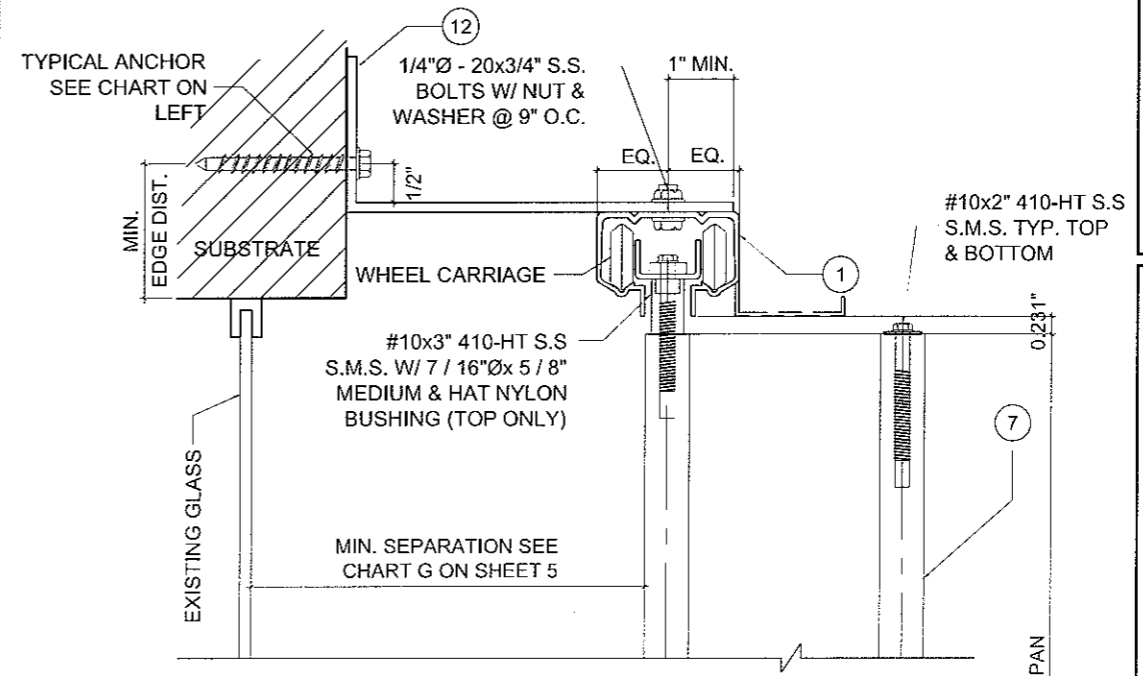
GSS - 1 GENESIS SHUTTER SYSTEM

GENESIS SHUTTER GROUP, INC.

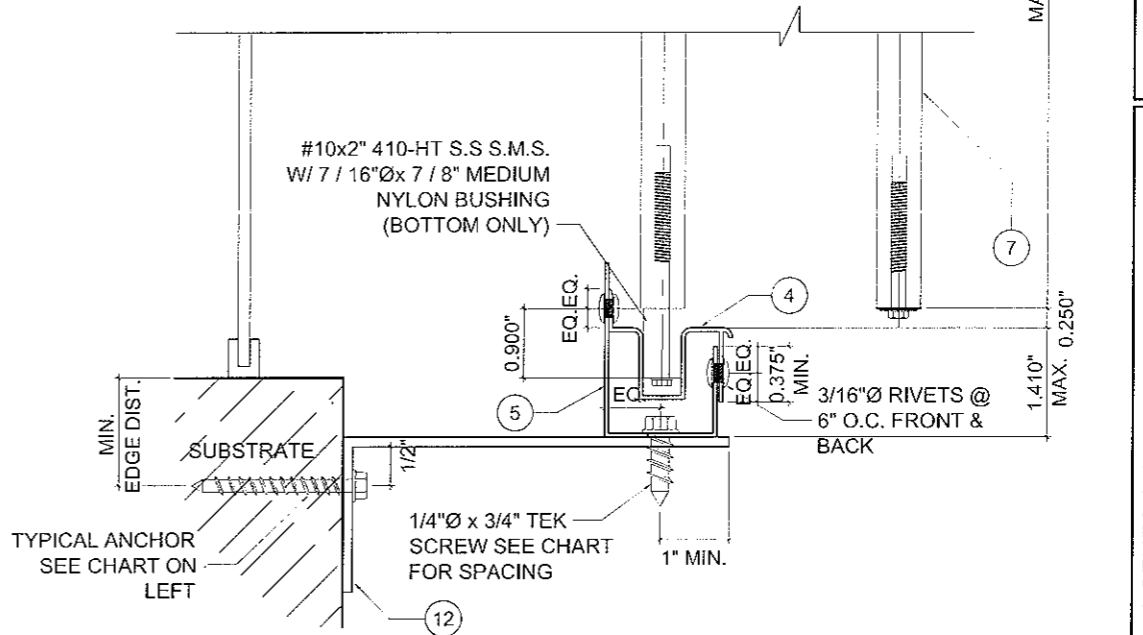
9811 NW 80 AVE. BAY 7A / 7B
HIALEAH GARDENS, FL 33016
P: (305) 733 - 6235 F: (305) 846 - 9413

| | |
|-------------|------------|
| DATE | 4-27-12 |
| SCALE | AS NOTED |
| DRAWN | S.L. |
| PROJECT | MCY 12-087 |
| DRAWING NO. | AD12-37 |
| 9 OF 15 | |

| DESIGN LOAD VS SPAN AND ANCHOR SPACING CHART | | | | | | | DESIGN LOAD VS SPAN AND ANCHOR SPACING CHART | | | | | | | |
|--|--------------|----------------------|----------------------|----------------------|----------------------|----------------------|--|--------------|----------------------|----------------------|----------------------|----------------------|----------------------|----------------------|
| MAX. DESIGN LOAD | SHUTTER SPAN | SECTION 7 & 8 (TOP) | | | | | MAX. DESIGN LOAD | SHUTTER SPAN | SECTION 7 (BOTTOM) | | | | | |
| | | CONCRETE | CONCRETE | WOOD | CONCRETE BLOCK | CONCRETE BLOCK | | | CONCRETE | CONCRETE | WOOD | CONCRETE BLOCK | CONCRETE BLOCK | ALUM. 6063-T6 |
| | | ANCHOR SPACING (in.) | ANCHOR SPACING (in.) | ANCHOR SPACING (in.) | ANCHOR SPACING (in.) | ANCHOR SPACING (in.) | | | ANCHOR SPACING (in.) | ANCHOR SPACING (in.) | ANCHOR SPACING (in.) | ANCHOR SPACING (in.) | ANCHOR SPACING (in.) | ANCHOR SPACING (in.) |
| (PSF) | (INCH) | TYPE A/B / C/F | TYPE E | TYPE H/G | TYPE A1/B1/D1/E1 | TYPE C1/F1 | (PSF) | (INCH) | TYPE A/B / C/F | TYPE E | TYPE H/G | TYPE A1/B1/D1/E1 | TYPE C1/F1 | 1/4" TEKS |
| 40 | 60" | 9.0 | 9.0 | 9.0 | 9.0 | 9.0 | 40 | 60" | 9.0 | 9.0 | 9.0 | 9.0 | 9.0 | 9.0 |
| | 78" | 9.0 | 9.0 | 9.0 | 8.6 | 9.0 | | 78" | 9.0 | 9.0 | 9.0 | 7.2 | 9.0 | 9.0 |
| | 96" | 9.0 | 9.0 | 9.0 | 7.0 | 9.0 | | 96" | 9.0 | 9.0 | 9.0 | 5.8 | 9.0 | 9.0 |
| | 114" | 9.0 | 9.0 | 9.0 | 5.9 | 9.0 | | 114" | 9.0 | 9.0 | 9.0 | 4.9 | 8.5 | 9.0 |
| | 120" | 9.0 | 9.0 | 9.0 | 5.6 | 9.0 | | 120" | 9.0 | 9.0 | 9.0 | 4.7 | 8.1 | 9.0 |
| | 132" | 9.0 | 9.0 | 9.0 | 5.1 | 8.8 | | 132" | 9.0 | 9.0 | 9.0 | 4.2 | 7.4 | 8.9 |
| 141" | 9.0 | 9.0 | 9.0 | 4.7 | 8.2 | 141" | 9.0 | 8.8 | 9.0 | 4.0 | 6.9 | 8.3 | | |
| 50 | 60" | 9.0 | 9.0 | 9.0 | 8.9 | 9.0 | 50 | 60" | 9.0 | 9.0 | 9.0 | 7.5 | 9.0 | 9.0 |
| | 78" | 9.0 | 9.0 | 9.0 | 6.9 | 9.0 | | 78" | 9.0 | 9.0 | 9.0 | 5.8 | 9.0 | 9.0 |
| | 96" | 9.0 | 9.0 | 9.0 | 5.6 | 9.0 | | 96" | 9.0 | 9.0 | 9.0 | 4.7 | 8.1 | 9.0 |
| | 114" | 9.0 | 9.0 | 9.0 | 4.7 | 8.2 | | 114" | 9.0 | 8.7 | 9.0 | 3.9 | 6.8 | 8.2 |
| | 120" | 9.0 | 9.0 | 9.0 | 4.5 | 7.7 | | 120" | 9.0 | 8.3 | 9.0 | 3.7 | 6.5 | 7.8 |
| | 132" | 9.0 | 9.0 | 9.0 | 4.1 | 7.0 | | 132" | 9.0 | 7.5 | 9.0 | 3.4 | 5.9 | 7.1 |
| 60 | 60" | 9.0 | 9.0 | 9.0 | 7.4 | 9.0 | 60 | 60" | 9.0 | 9.0 | 9.0 | 6.2 | 9.0 | 9.0 |
| | 78" | 9.0 | 9.0 | 9.0 | 5.7 | 9.0 | | 78" | 9.0 | 9.0 | 9.0 | 4.8 | 8.3 | 9.0 |
| | 96" | 9.0 | 9.0 | 9.0 | 4.6 | 8.1 | | 96" | 9.0 | 8.6 | 9.0 | 3.9 | 6.8 | 8.2 |
| | 114" | 9.0 | 8.7 | 9.0 | 3.9 | 6.8 | | 114" | 9.0 | 7.3 | 9.0 | 3.3 | 5.7 | 6.9 |
| | 126" | 9.0 | 7.8 | 9.0 | 3.5 | 6.1 | | 126" | 8.9 | 6.6 | 9.0 | - | 5.2 | 6.2 |
| | 60" | 9.0 | 9.0 | 9.0 | 6.4 | 9.0 | | 70 | 60" | 9.0 | 9.0 | 9.0 | 5.3 | 9.0 |
| 78" | 9.0 | 9.0 | 9.0 | 4.9 | 8.5 | 78" | 9.0 | | 9.0 | 9.0 | 4.1 | 7.1 | 8.6 | |
| 96" | 9.0 | 8.8 | 9.0 | 4.0 | 6.9 | 96" | 9.0 | | 7.4 | 9.0 | 3.3 | 5.8 | 7.0 | |
| 114" | 9.0 | 7.4 | 9.0 | 3.4 | 5.8 | 114" | 8.5 | | 6.2 | 9.0 | - | 4.9 | 5.9 | |
| 118" | 9.0 | 7.1 | 9.0 | 3.2 | 5.6 | 118" | 8.1 | | 6.0 | 9.0 | - | 4.7 | 5.6 | |
| 60" | 9.0 | 9.0 | 9.0 | 5.6 | 9.0 | 80 | 60" | | 9.0 | 9.0 | 9.0 | 4.7 | 8.1 | 9.0 |
| 78" | 9.0 | 9.0 | 9.0 | 4.3 | 7.5 | | 78" | 9.0 | 8.0 | 9.0 | 3.6 | 6.2 | 7.5 | |
| 96" | 9.0 | 7.7 | 9.0 | 3.5 | 6.1 | | 96" | 8.8 | 6.5 | 9.0 | - | 5.1 | 6.1 | |
| 111" | 9.0 | 6.7 | 9.0 | 3.0 | 5.2 | | 111" | 7.6 | 5.6 | 9.0 | - | 4.4 | 5.3 | |
| 60" | 9.0 | 9.0 | 9.0 | 5.0 | 8.6 | | 90 | 60" | 9.0 | 9.0 | 9.0 | 4.2 | 7.2 | 8.7 |
| 78" | 9.0 | 8.5 | 9.0 | 3.8 | 6.6 | | | 78" | 9.0 | 7.1 | 9.0 | 3.2 | 5.6 | 6.7 |
| 96" | 9.0 | 6.9 | 9.0 | 3.1 | 5.4 | 96" | | 7.8 | 5.8 | 9.0 | - | 4.5 | 5.4 | |
| 105" | 8.5 | 6.3 | 9.0 | - | 4.9 | 105" | | 7.1 | 5.3 | 8.5 | - | 4.1 | 5.0 | |
| 60" | 9.0 | 9.0 | 9.0 | 4.5 | 7.7 | 100 | | 60" | 9.0 | 8.3 | 9.0 | 3.7 | 6.5 | 7.8 |
| 78" | 9.0 | 7.6 | 9.0 | 3.4 | 6.0 | | | 78" | 8.6 | 6.4 | 9.0 | - | 5.0 | 6.0 |
| 96" | 8.4 | 6.2 | 9.0 | - | 4.8 | | 96" | 7.0 | 5.2 | 8.3 | - | 4.1 | 4.9 | |
| 99" | 8.1 | 6.0 | 9.0 | - | 4.7 | | 99" | 6.8 | 5.0 | 8.1 | - | 3.9 | 4.7 | |
| 48" | 9.0 | 9.0 | 9.0 | 4.6 | 8.1 | | 120 | 48" | 9.0 | 8.6 | 9.0 | 3.9 | 6.8 | 8.2 |
| 60" | 9.0 | 8.2 | 9.0 | 3.7 | 6.5 | | | 60" | 9.0 | 6.9 | 9.0 | 3.1 | 5.4 | 6.5 |
| 78" | 8.6 | 6.3 | 9.0 | - | 5.0 | 78" | | 7.2 | 5.3 | 8.5 | - | 4.2 | 5.0 | |
| 91" | 7.4 | 5.4 | 8.7 | - | 4.3 | 91" | | 6.2 | 4.6 | 7.3 | - | 3.6 | 4.3 | |
| 48" | 9.0 | 8.8 | 9.0 | 4.0 | 6.9 | 140 | | 48" | 9.0 | 7.4 | 9.0 | 3.3 | 5.8 | 7.0 |
| 60" | 9.0 | 7.1 | 9.0 | 3.2 | 5.5 | | | 60" | 8.0 | 5.9 | 9.0 | - | 4.6 | 5.6 |
| 78" | 7.4 | 5.4 | 8.7 | - | 4.3 | | 78" | 6.2 | 4.6 | 7.3 | - | 3.6 | 4.3 | |
| 81" | 7.1 | 5.2 | 8.4 | - | 4.1 | | 81" | 5.9 | 4.4 | 7.1 | - | 3.4 | 4.1 | |
| 48" | 9.0 | 7.7 | 9.0 | 3.5 | 6.1 | | 150 | 48" | 8.8 | 6.5 | 9.0 | - | 5.1 | 6.1 |
| 60" | 8.4 | 6.2 | 9.0 | - | 4.8 | | | 60" | 7.0 | 5.2 | 8.3 | - | 4.1 | 4.9 |
| 70" | 7.1 | 5.2 | 8.4 | - | 4.1 | 70" | | 5.9 | 4.4 | 7.0 | - | 3.4 | 4.1 | |



7 8 B.O. WALL MOUNTING INSTALLATION STANDARD TRACK



7 B.O. WALL MOUNTING INSTALLATION STANDARD TRACK

YIPING WANG, P.E.
 FLORIDA REGISTRATION
 No. 55983
 No. 55983867
 APR 27 2012

| REVISIONS | DESCRIPTION |
|-----------|-------------|
| NO. DATE | |

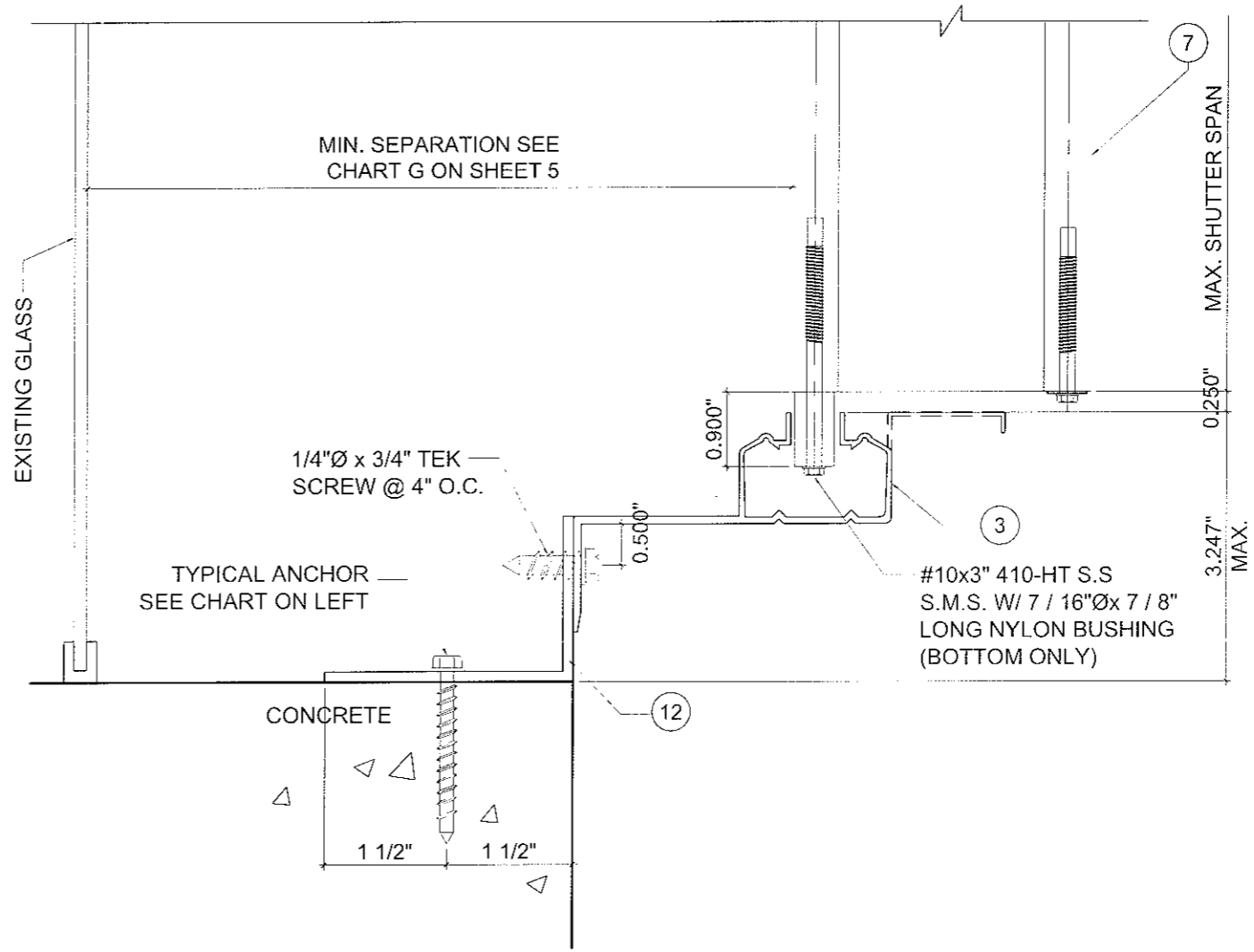
MCY ENGINEERING, INC.
 GLAZING CONSULTANTS
 8501 SW 124 AVE. STE. 205A P: 305.271.0117
 MIAMI, FL. 33183 F: 786.573.5063
 www.MCYEngineering.com MCY.Engineering@Att.net

GSS - 1 GENESIS SHUTTER SYSTEM
GENESIS SHUTTER GROUP, INC.
 9811 NW 80 AVE. BAY 7A / 7B
 HIALEAH GARDENS, FL. 33016
 P: (305) 733 - 6235 F: (305) 846 - 9413

| | |
|-------------|------------|
| DATE | 4-27-12 |
| SCALE | AS NOTED |
| DRAWN | S.L. |
| PROJECT | MCY 12-087 |
| DRAWING NO. | AD12-37 |
| 10 OF 15 | |

DESIGN LOAD VS SPAN AND ANCHOR SPACING CHART

| MAX. DESIGN LOAD | SHUTTER SPAN | SECTION 9 (BOTTOM) | | | | SECTION 9 (BOTTOM) | |
|------------------|--------------|----------------------|--------|--------|------------|----------------------|--------------|
| | | CONCRETE | | | | BLOCK | |
| | | ANCHOR SPACING (in.) | | | | ANCHOR SPACING (in.) | |
| (PSF) | (INCH) | TYPE A | TYPE C | TYPE D | TYPE E / F | TYPE A1 / E1 / F1 | TYPE C1 / D1 |
| 40 | 60" | 6.5 | 6.5 | 6.5 | 6.5 | 6.1 | 6.5 |
| | 78" | 6.5 | 6.5 | 6.5 | 6.5 | 4.7 | 6.4 |
| | 96" | 6.5 | 6.5 | 6.5 | 6.3 | 3.8 | 5.2 |
| | 114" | 6.5 | 6.5 | 6.5 | 5.3 | 3.2 | 4.4 |
| | 120" | 6.5 | 6.5 | 6.5 | 5.1 | 3.0 | 4.2 |
| | 132" | 6.0 | 6.4 | 6.5 | 4.6 | - | 3.8 |
| | 141" | 5.7 | 6.0 | 6.5 | 4.3 | - | 3.5 |
| 50 | 60" | 6.5 | 6.5 | 6.5 | 6.5 | 4.9 | 6.5 |
| | 78" | 6.5 | 6.5 | 6.5 | 6.2 | 3.7 | 5.1 |
| | 96" | 6.5 | 6.5 | 6.5 | 5.1 | 3.0 | 4.2 |
| | 114" | 5.6 | 5.9 | 6.5 | 4.3 | - | 3.5 |
| | 120" | 5.3 | 5.6 | 6.5 | 4.0 | - | 3.3 |
| 60 | 132" | 4.8 | 5.1 | 5.9 | 3.7 | - | 3.0 |
| | 60" | 6.5 | 6.5 | 6.5 | 6.5 | 4.1 | 5.5 |
| | 78" | 6.5 | 6.5 | 6.5 | 5.2 | 3.1 | 4.3 |
| | 96" | 5.5 | 5.8 | 6.5 | 4.2 | - | 3.5 |
| | 114" | 4.7 | 4.9 | 5.7 | 3.5 | - | - |
| 70 | 126" | 4.2 | 4.5 | 5.2 | 3.2 | - | - |
| | 60" | 6.5 | 6.5 | 6.5 | 5.8 | 3.5 | 4.8 |
| | 78" | 5.8 | 6.2 | 6.5 | 4.4 | - | 3.7 |
| | 96" | 4.8 | 5.0 | 5.8 | 3.6 | - | - |
| 80 | 114" | 4.0 | 4.2 | 4.9 | 3.0 | - | - |
| | 118" | 3.8 | 4.0 | 4.7 | - | - | - |
| | 60" | 6.5 | 6.5 | 6.5 | 5.1 | 3.0 | 4.2 |
| | 78" | 5.1 | 5.4 | 6.3 | 3.9 | - | 3.2 |
| 90 | 96" | 4.2 | 4.4 | 5.1 | 3.2 | - | - |
| | 111" | 3.6 | 3.8 | 4.4 | - | - | - |
| | 60" | 5.9 | 6.2 | 6.5 | 4.5 | - | 3.7 |
| | 78" | 4.5 | 4.8 | 5.6 | 3.5 | - | - |
| 100 | 96" | 3.7 | 3.9 | 4.5 | - | - | - |
| | 105" | 3.4 | 3.6 | 4.1 | - | - | - |
| | 60" | 5.3 | 5.6 | 6.5 | 4.0 | - | 3.3 |
| | 78" | 4.1 | 4.3 | 5.0 | 3.1 | - | - |
| 120 | 96" | 3.3 | 3.5 | 4.1 | - | - | - |
| | 99" | 3.2 | 3.4 | 3.9 | - | - | - |
| | 48" | 5.5 | 5.8 | 6.5 | 4.2 | - | 3.5 |
| | 60" | 4.4 | 4.7 | 5.4 | 3.4 | - | - |
| 140 | 78" | 3.4 | 3.6 | 4.2 | - | - | - |
| | 91" | - | 3.1 | 3.6 | - | - | - |
| | 48" | 4.8 | 5.0 | 5.8 | 3.6 | - | - |
| 150 | 60" | 3.8 | 4.0 | 4.6 | - | - | - |
| | 78" | - | 3.1 | 3.6 | - | - | - |
| | 81" | - | - | 3.4 | - | - | - |
| 150 | 48" | 4.2 | 4.4 | 5.1 | 3.2 | - | - |
| | 60" | 3.3 | 3.5 | 4.1 | - | - | - |
| | 70" | - | - | 3.4 | - | - | - |



9 2" B.O. WALL MOUNTING INSTALLATION
STANDARD TRACK

YIPING WANG, P.E.
FLORIDA REGISTRATION
No. 55982867
APR 27 2012

| NO. | DATE | DESCRIPTION |
|-----|------|-------------|
| | | |
| | | |
| | | |

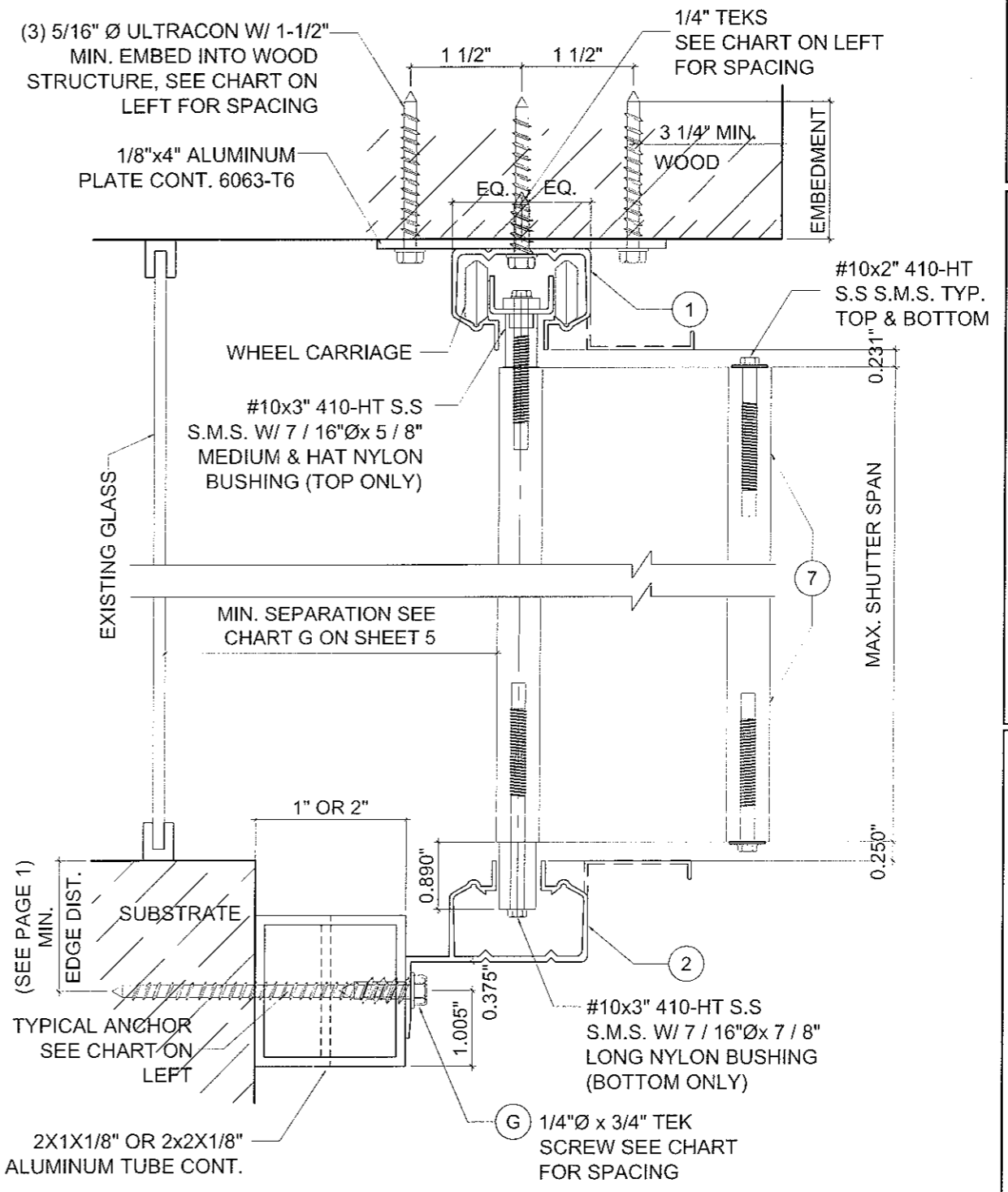
MCY ENGINEERING, INC.
GLAZING CONSULTANTS
8501 SW 124 AVE. STE. 205A P: 305.271.0117
MIAMI, FL. 33183 F: 786.573.5063
www.MCYEngineering.com MCY.Engineering@Att.net

GSS - 1 GENESIS SHUTTER SYSTEM
GENESIS SHUTTER GROUP, INC.
9811 NW 80 AVE. BAY 7A / 7B
HIALEAH GARDENS, FL. 33016
P: (305) 733 - 6235 F: (305) 846 - 9413

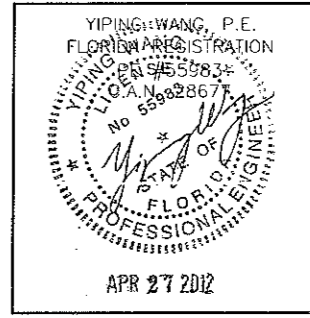
| | |
|---------|------------|
| DATE | 4-27-12 |
| SCALE | AS NOTED |
| DRAWN | S.L. |
| PROJECT | MCY 12-087 |

DRAWING NO.
AD12-37
11 OF 15

| DESIGN LOAD VS SPAN AND ANCHOR SPACING CHART | | | | DESIGN LOAD VS SPAN AND ANCHOR SPACING CHART | | | | | | | |
|--|--------------|----------------------|----------------------|--|--------------|----------------------|----------------------|----------------------|------------------------|----------------------|------------------------------|
| MAX. DESIGN LOAD | SHUTTER SPAN | SECTION 10 (TOP) | | MAX. DESIGN LOAD | SHUTTER SPAN | SECTION 10 (BOTTOM) | | | | | |
| | | WOOD STRUCTURE | ALUMINUM PLATE | | | CONCRETE | CONCRETE | WOOD STRUCTURE | CONCRETE BLOCK | CONCRETE BLOCK | ALUM. TUBE 6063-T6 |
| (PSF) | (INCH) | 5/16" ULTRACON | 1/4" TEKS | (PSF) | (INCH) | TYPE A / B / C / F | TYPE E | TYPE H / G | TYPE A1 / B1 / D1 / E1 | TYPE C1 / F1 | 1/4" x 3/4" SELF DRILL SCREW |
| | | ANCHOR SPACING (in.) | ANCHOR SPACING (in.) | | | ANCHOR SPACING (in.) | ANCHOR SPACING (in.) | ANCHOR SPACING (in.) | ANCHOR SPACING (in.) | ANCHOR SPACING (in.) | ANCHOR SPACING (in.) |
| 40 | 60" | 16.0 | 12.0 | 40 | 60" | 9.0 | 9.0 | 9.0 | 9.0 | 9.0 | 9.0 |
| | 78" | 16.0 | 12.0 | | 78" | 9.0 | 9.0 | 9.0 | 6.9 | 9.0 | 9.0 |
| | 96" | 16.0 | 12.0 | | 96" | 9.0 | 9.0 | 9.0 | 5.6 | 9.0 | 7.6 |
| | 114" | 16.0 | 12.0 | | 114" | 9.0 | 9.0 | 9.0 | 4.7 | 8.2 | 6.4 |
| | 120" | 16.0 | 12.0 | | 120" | 9.0 | 9.0 | 9.0 | 4.5 | 7.8 | 6.1 |
| | 132" | 16.0 | 12.0 | | 132" | 9.0 | 9.0 | 9.0 | 4.1 | 7.1 | 5.5 |
| | 141" | 16.0 | 12.0 | | 141" | 9.0 | 8.5 | 9.0 | 3.8 | 6.7 | 5.2 |
| 50 | 60" | 16.0 | 12.0 | 50 | 60" | 9.0 | 9.0 | 9.0 | 7.2 | 9.0 | 9.0 |
| | 78" | 16.0 | 12.0 | | 78" | 9.0 | 9.0 | 9.0 | 5.5 | 9.0 | 7.5 |
| | 96" | 16.0 | 12.0 | | 96" | 9.0 | 9.0 | 9.0 | 4.5 | 7.8 | 6.1 |
| | 114" | 16.0 | 12.0 | | 114" | 9.0 | 8.4 | 9.0 | 3.8 | 6.6 | 5.1 |
| | 120" | 16.0 | 12.0 | | 120" | 9.0 | 8.0 | 9.0 | 3.6 | 6.3 | 4.8 |
| | 132" | 16.0 | 12.0 | | 132" | 9.0 | 7.3 | 9.0 | 3.3 | 5.7 | 4.4 |
| 60 | 60" | 16.0 | 12.0 | 60 | 60" | 9.0 | 9.0 | 9.0 | 6.0 | 9.0 | 8.1 |
| | 78" | 16.0 | 12.0 | | 78" | 9.0 | 9.0 | 9.0 | 4.6 | 8.0 | 6.2 |
| | 96" | 16.0 | 12.0 | | 96" | 9.0 | 8.3 | 9.0 | 3.8 | 6.5 | 5.0 |
| | 114" | 16.0 | 11.7 | | 114" | 9.0 | 7.0 | 9.0 | 3.2 | 5.5 | 4.2 |
| | 126" | 16.0 | 10.6 | | 126" | 8.6 | 6.3 | 9.0 | - | 5.0 | 3.8 |
| 70 | 60" | 16.0 | 12.0 | 70 | 60" | 9.0 | 9.0 | 9.0 | 5.2 | 8.9 | 6.8 |
| | 78" | 16.0 | 12.0 | | 78" | 9.0 | 8.8 | 9.0 | 4.0 | 6.9 | 5.3 |
| | 96" | 16.0 | 11.9 | | 96" | 9.0 | 7.1 | 9.0 | 3.2 | 5.6 | 4.3 |
| | 114" | 16.0 | 10.1 | | 114" | 8.1 | 6.0 | 9.0 | - | 4.7 | 3.6 |
| | 118" | 16.0 | 9.7 | | 118" | 7.8 | 5.8 | 9.0 | - | 4.5 | 3.5 |
| 80 | 60" | 16.0 | 12.0 | 80 | 60" | 9.0 | 9.0 | 9.0 | 4.5 | 7.8 | 6.1 |
| | 78" | 16.0 | 12.0 | | 78" | 9.0 | 7.7 | 9.0 | 3.5 | 6.0 | 4.7 |
| | 96" | 16.0 | 10.5 | | 96" | 8.5 | 6.2 | 9.0 | - | 4.9 | 3.8 |
| | 111" | 16.0 | 9.1 | | 111" | 7.3 | 5.4 | 8.7 | - | 4.2 | 3.3 |
| | 120" | 16.0 | 8.6 | | 120" | 6.9 | 5.1 | 8.2 | - | 4.0 | 3.1 |
| 90 | 60" | 16.0 | 12.0 | 90 | 60" | 9.0 | 8.9 | 9.0 | 4.0 | 7.0 | 5.4 |
| | 78" | 16.0 | 11.4 | | 78" | 9.0 | 6.8 | 9.0 | 3.1 | 5.4 | 4.1 |
| | 96" | 16.0 | 9.4 | | 96" | 7.5 | 5.6 | 8.9 | - | 4.3 | 3.4 |
| | 105" | 16.0 | 8.6 | | 105" | 6.9 | 5.1 | 8.2 | - | 4.0 | 3.1 |
| | 114" | 16.0 | 8.2 | | 114" | 6.6 | 4.8 | 7.8 | - | 3.8 | 3.0 |
| 100 | 60" | 16.0 | 12.0 | 100 | 60" | 9.0 | 8.0 | 9.0 | 3.6 | 6.3 | 4.8 |
| | 78" | 16.0 | 10.3 | | 78" | 8.3 | 6.1 | 9.0 | - | 4.8 | 3.7 |
| | 96" | 16.0 | 8.5 | | 96" | 6.8 | 5.0 | 8.0 | - | 3.9 | 3.0 |
| | 99" | 15.0 | 8.2 | | 99" | 6.6 | 4.8 | 7.8 | - | 3.8 | 3.0 |
| | 105" | 15.0 | 8.2 | | 105" | 6.6 | 4.8 | 7.8 | - | 3.8 | 3.0 |
| 120 | 48" | 16.0 | 12.0 | 120 | 48" | 9.0 | 8.3 | 9.0 | 3.8 | 6.5 | 5.0 |
| | 60" | 16.0 | 11.1 | | 60" | 9.0 | 6.7 | 9.0 | 3.0 | 5.2 | 4.0 |
| | 78" | 16.0 | 8.7 | | 78" | 6.9 | 5.1 | 8.2 | - | 4.0 | 3.1 |
| | 91" | 16.0 | 7.5 | | 91" | 6.0 | 4.4 | 7.1 | - | 3.4 | 3.0 |
| 140 | 48" | 16.0 | 11.9 | 140 | 48" | 9.0 | 7.1 | 9.0 | 3.2 | 5.6 | 4.3 |
| | 60" | 16.0 | 9.6 | | 60" | 7.7 | 5.7 | 9.0 | - | 4.5 | 3.5 |
| | 78" | 16.0 | 7.5 | | 78" | 6.0 | 4.4 | 7.1 | - | 3.4 | 3.0 |
| 150 | 48" | 16.0 | 10.5 | 150 | 48" | 8.5 | 6.2 | 9.0 | - | 4.9 | 3.8 |
| | 60" | 16.0 | 8.5 | | 60" | 6.8 | 5.0 | 8.0 | - | 3.9 | 3.0 |
| | 70" | 16.0 | 7.2 | | 70" | 5.7 | 4.2 | 6.8 | - | 3.3 | 3.0 |



10 CEILING TO WALL MOUNTING INSTALLATION
STANDARD TRACK



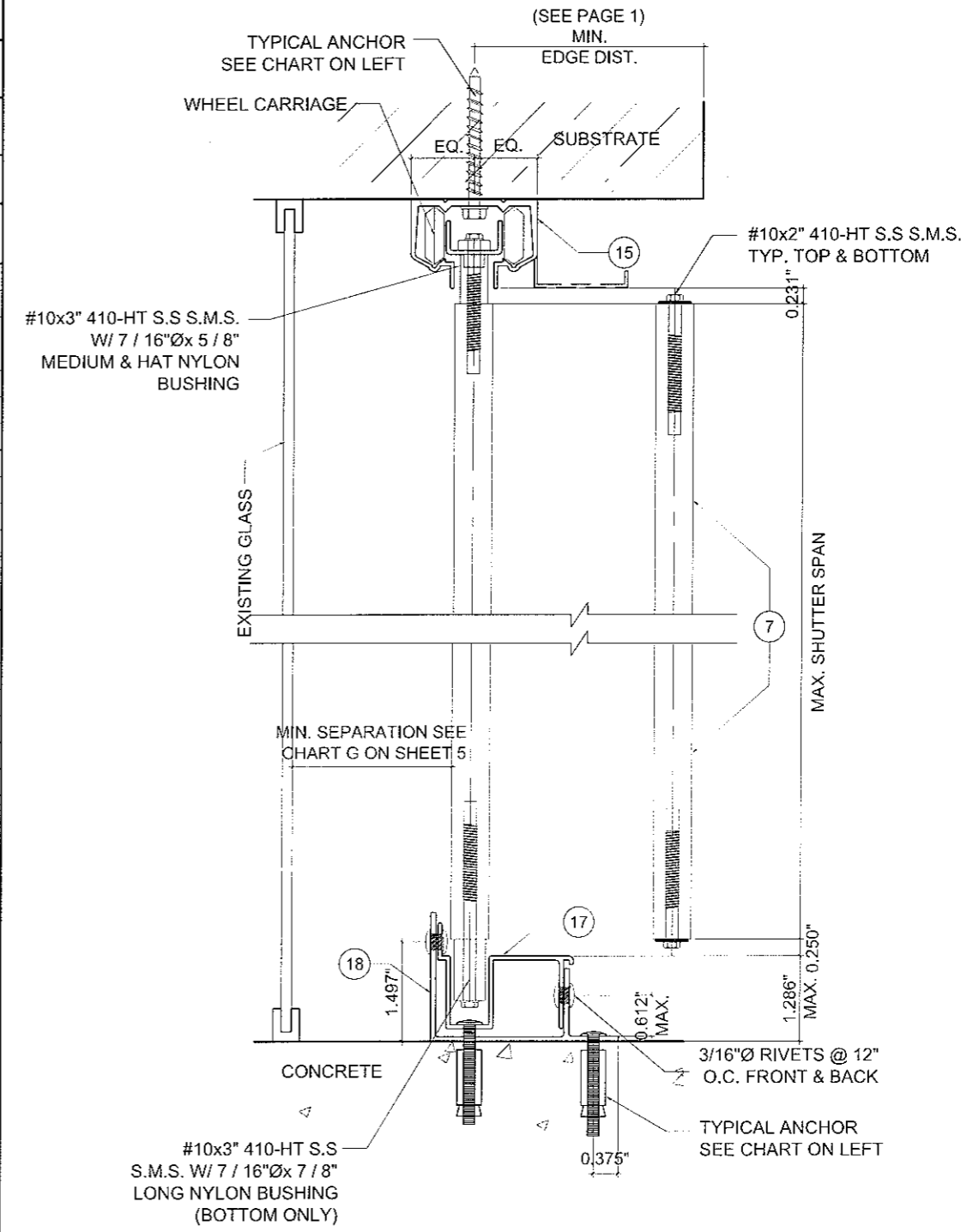
| NO. | DATE | DESCRIPTION |
|-----|------|-------------|
| | | |
| | | |
| | | |

MCY ENGINEERING, INC.
GLAZING CONSULTANTS
8501 SW 124 AVE. STE. 205A P: 305.271.0117
MIAMI, FL. 33183 F: 786.573.5063
www.MCYEngineering.com MCY.Engineering@Att.net

GSS - 1 GENESIS SHUTTER SYSTEM
GENESIS SHUTTER GROUP, INC.
9811 NW 80 AVE. BAY 7A / 7B
HIALEAH GARDENS, FL. 33016
P: (305) 733 - 6235 F: (305) 846 - 9413

| | |
|-------------|------------|
| DATE | 4-27-12 |
| SCALE | AS NOTED |
| DRAWN | S.L. |
| PROJECT | MCY 12-087 |
| DRAWING NO. | AD12-37 |
| | 12 OF 15 |

| DESIGN LOAD VS SPAN AND ANCHOR SPACING CHART | | | | | | | | DESIGN LOAD VS SPAN AND ANCHOR SPACING CHART | | | | | | | |
|--|--------------|----------------------|----------------------|----------------------|----------------------|----------------------|----------------|--|----------------------|----------------------|----------------------|----------------------|----------------------|----------------|--|
| MAX. DESIGN LOAD | SHUTTER SPAN | SECTION 11 (TOP) | | | | | | MAX. DESIGN LOAD | SHUTTER SPAN | SECTION 11 (BOTTOM) | | | | | |
| | | CONCRETE | CONCRETE | CONCRETE | WOOD | CONCRETE BLOCK | CONCRETE BLOCK | | | CONCRETE | CONCRETE | CONCRETE | CONCRETE BLOCK | CONCRETE BLOCK | |
| | | TYPE A/B | TYPE C/F | TYPE D/E | TYPE H/G | TYPE A1/B1/D1 | TYPE E1 | | | TYPE A/B | TYPE C/F | TYPE D/E | TYPE A1/B1/D1 | TYPE E1 | |
| (PSF) | (INCH) | ANCHOR SPACING (in.) | ANCHOR SPACING (in.) | ANCHOR SPACING (in.) | ANCHOR SPACING (in.) | ANCHOR SPACING (in.) | (PSF) | (INCH) | ANCHOR SPACING (in.) | ANCHOR SPACING (in.) | ANCHOR SPACING (in.) | ANCHOR SPACING (in.) | ANCHOR SPACING (in.) | | |
| 40 | 60" | 12.0 | 12.0 | 12.0 | 12.0 | 12.0 | 12.0 | 40 | 60" | 12.0 | 12.0 | 12.0 | 12.0 | 12.0 | |
| | 78" | 12.0 | 12.0 | 12.0 | 12.0 | 11.7 | 11.2 | | 78" | 12.0 | 12.0 | 12.0 | 12.0 | 12.0 | |
| | 96" | 12.0 | 12.0 | 12.0 | 11.3 | 9.5 | 9.1 | | 96" | 12.0 | 12.0 | 12.0 | 12.0 | 11.5 | |
| | 114" | 12.0 | 12.0 | 12.0 | 9.6 | 8.0 | 7.6 | | 114" | 12.0 | 12.0 | 12.0 | 11.4 | 9.7 | |
| | 120" | 12.0 | 12.0 | 12.0 | 9.1 | 7.6 | 7.3 | | 120" | 12.0 | 12.0 | 12.0 | 10.8 | 9.2 | |
| | 132" | 12.0 | 12.0 | 10.9 | 8.2 | 6.9 | 6.6 | | 132" | 12.0 | 12.0 | 12.0 | 9.9 | 8.3 | |
| | 141" | 12.0 | 12.0 | 10.2 | 7.7 | 6.5 | 6.2 | | 141" | 12.0 | 12.0 | 12.0 | 9.2 | 7.8 | |
| 50 | 60" | 12.0 | 12.0 | 12.0 | 12.0 | 12.0 | 11.7 | 50 | 60" | 12.0 | 12.0 | 12.0 | 12.0 | 12.0 | |
| | 78" | 12.0 | 12.0 | 12.0 | 11.2 | 9.5 | 9.0 | | 78" | 12.0 | 12.0 | 12.0 | 12.0 | 11.3 | |
| | 96" | 12.0 | 12.0 | 12.0 | 9.1 | 7.7 | 7.3 | | 96" | 12.0 | 12.0 | 12.0 | 10.8 | 9.2 | |
| | 114" | 12.0 | 12.0 | 10.2 | 7.7 | 6.5 | 6.2 | | 114" | 12.0 | 12.0 | 12.0 | 9.1 | 7.7 | |
| | 120" | 11.6 | 12.0 | 9.7 | 7.3 | 6.2 | 5.9 | | 120" | 12.0 | 12.0 | 12.0 | 8.7 | 7.3 | |
| 60 | 60" | 12.0 | 12.0 | 12.0 | 12.0 | 10.4 | 9.9 | 60 | 60" | 12.0 | 12.0 | 12.0 | 12.0 | 12.0 | |
| | 78" | 12.0 | 12.0 | 12.0 | 9.4 | 8.0 | 7.6 | | 78" | 12.0 | 12.0 | 12.0 | 12.0 | 12.0 | |
| | 96" | 12.0 | 12.0 | 10.2 | 7.6 | 6.5 | 6.2 | | 96" | 12.0 | 12.0 | 12.0 | 12.0 | 12.0 | |
| | 114" | 10.2 | 12.0 | 8.6 | 6.4 | 5.5 | 5.2 | | 114" | 12.0 | 12.0 | 12.0 | 11.9 | 11.0 | |
| | 126" | 9.3 | 12.0 | 7.8 | 5.8 | 5.0 | 4.7 | | 126" | 12.0 | 12.0 | 12.0 | 10.8 | 9.9 | |
| 70 | 60" | 12.0 | 12.0 | 12.0 | 10.5 | 9.0 | 8.5 | 70 | 60" | 12.0 | 12.0 | 12.0 | 12.0 | 12.0 | |
| | 78" | 12.0 | 12.0 | 10.8 | 8.1 | 6.9 | 6.5 | | 78" | 12.0 | 12.0 | 12.0 | 12.0 | 12.0 | |
| | 96" | 10.5 | 12.0 | 8.8 | 6.5 | 5.6 | 5.3 | | 96" | 12.0 | 12.0 | 12.0 | 12.0 | 11.2 | |
| | 114" | 8.8 | 12.0 | 7.4 | 5.5 | 4.7 | 4.5 | | 114" | 12.0 | 12.0 | 12.0 | 10.2 | 9.4 | |
| | 118" | 8.4 | 11.8 | 7.1 | 5.3 | 4.5 | 4.3 | | 118" | 12.0 | 12.0 | 12.0 | 9.8 | 9.0 | |
| 80 | 60" | 12.0 | 12.0 | 12.0 | 9.2 | 7.9 | 7.5 | 80 | 60" | 12.0 | 12.0 | 12.0 | 12.0 | 12.0 | |
| | 78" | 11.3 | 12.0 | 9.5 | 7.1 | 6.1 | 5.7 | | 78" | 12.0 | 12.0 | 12.0 | 12.0 | 12.0 | |
| | 96" | 9.2 | 12.0 | 7.7 | 5.7 | 4.9 | 4.7 | | 96" | 12.0 | 12.0 | 12.0 | 10.6 | 9.8 | |
| | 111" | 7.9 | 11.1 | 6.7 | 5.0 | 4.3 | 4.0 | | 111" | 12.0 | 12.0 | 12.0 | 9.2 | 8.5 | |
| 90 | 60" | 12.0 | 12.0 | 11.0 | 8.2 | 7.1 | 6.6 | 90 | 60" | 12.0 | 12.0 | 12.0 | 12.0 | 12.0 | |
| | 78" | 10.1 | 12.0 | 8.5 | 6.3 | 5.4 | 5.1 | | 78" | 12.0 | 12.0 | 12.0 | 11.6 | 10.7 | |
| | 96" | 8.2 | 11.4 | 6.9 | 5.1 | 4.4 | 4.2 | | 96" | 12.0 | 12.0 | 12.0 | 9.4 | 8.7 | |
| | 105" | 7.5 | 10.5 | 6.3 | 4.7 | 4.0 | 3.8 | | 105" | 12.0 | 12.0 | 12.0 | 8.6 | 8.0 | |
| 100 | 60" | 11.8 | 12.0 | 9.9 | 7.4 | 6.4 | 6.0 | 100 | 60" | 12.0 | 12.0 | 12.0 | 12.0 | 12.0 | |
| | 78" | 9.1 | 12.0 | 7.6 | 5.7 | 4.9 | 4.6 | | 78" | 12.0 | 12.0 | 12.0 | 10.4 | 9.6 | |
| | 96" | 7.4 | 10.3 | 6.2 | 4.6 | 4.0 | 3.7 | | 96" | 12.0 | 12.0 | 12.0 | 8.5 | 7.8 | |
| | 99" | 7.2 | 10.0 | 6.0 | 4.5 | 3.9 | 3.6 | | 99" | 12.0 | 12.0 | 12.0 | 8.2 | 7.6 | |
| 120 | 48" | 12.0 | 12.0 | 10.4 | 7.7 | 6.7 | 6.3 | 120 | 48" | 12.0 | 12.0 | 12.0 | 12.0 | 12.0 | |
| | 60" | 9.9 | 12.0 | 8.3 | 6.1 | 5.3 | 5.0 | | 60" | 12.0 | 12.0 | 12.0 | 11.3 | 10.4 | |
| | 78" | 7.6 | 10.6 | 6.4 | 4.7 | 4.1 | 3.9 | | 78" | 12.0 | 12.0 | 12.0 | 8.7 | 8.0 | |
| 140 | 48" | 10.6 | 12.0 | 8.9 | 6.6 | 5.7 | 5.4 | 140 | 48" | 12.0 | 12.0 | 12.0 | 12.0 | 11.2 | |
| | 60" | 8.5 | 11.9 | 7.1 | 5.3 | 4.6 | 4.3 | | 60" | 12.0 | 12.0 | 12.0 | 9.7 | 8.9 | |
| | 78" | 6.5 | 9.1 | 5.5 | 4.1 | 3.5 | 3.3 | | 78" | 12.0 | 12.0 | 11.4 | 7.5 | 6.9 | |
| 160 | 48" | 9.3 | 12.0 | 7.8 | 5.8 | 5.0 | 4.7 | 160 | 48" | 12.0 | 12.0 | 12.0 | 10.6 | 9.8 | |
| | 60" | 7.4 | 10.4 | 6.3 | 4.6 | 4.0 | 3.8 | | 60" | 12.0 | 12.0 | 12.0 | 8.5 | 7.8 | |
| | 70" | 6.3 | 8.8 | 5.3 | 3.9 | 3.4 | 3.2 | | 70" | 12.0 | 12.0 | 11.0 | 7.2 | 6.6 | |
| 180 | 48" | 8.3 | 11.6 | 7.0 | 5.1 | 4.5 | 4.2 | 180 | 48" | 12.0 | 12.0 | 12.0 | 9.4 | 8.7 | |
| | 63" | 6.3 | 8.8 | 5.3 | 3.9 | 3.4 | 3.2 | | 63" | 12.0 | 12.0 | 11.0 | 7.2 | 6.6 | |
| 200 | 48" | 7.4 | 10.4 | 6.3 | 4.6 | 4.0 | 3.8 | 200 | 48" | 12.0 | 12.0 | 12.0 | 8.5 | 7.8 | |
| | 57" | 6.3 | 8.8 | 5.3 | 3.9 | 3.4 | 3.2 | | 57" | 12.0 | 12.0 | 10.9 | 7.1 | 6.6 | |



11 FLOOR TO CEILING MOUNTING INSTALLATION
HEAVY DUTY TRACK

YIPING WANG, P.E.
FLORIDA REGISTRATION
No. 55882867
APR 27 2012

| REVISIONS | |
|-----------|------------------|
| NO. | DATE DESCRIPTION |
| | |
| | |

MCY ENGINEERING, INC.
GLAZING CONSULTANTS
8501 SW 124 AVE. STE. 205A MIAMI, FL. 33183
P: 305.271.0117 F: 786.573.5063
www.MCYEngineering.com MCY.Engineering@Att.net

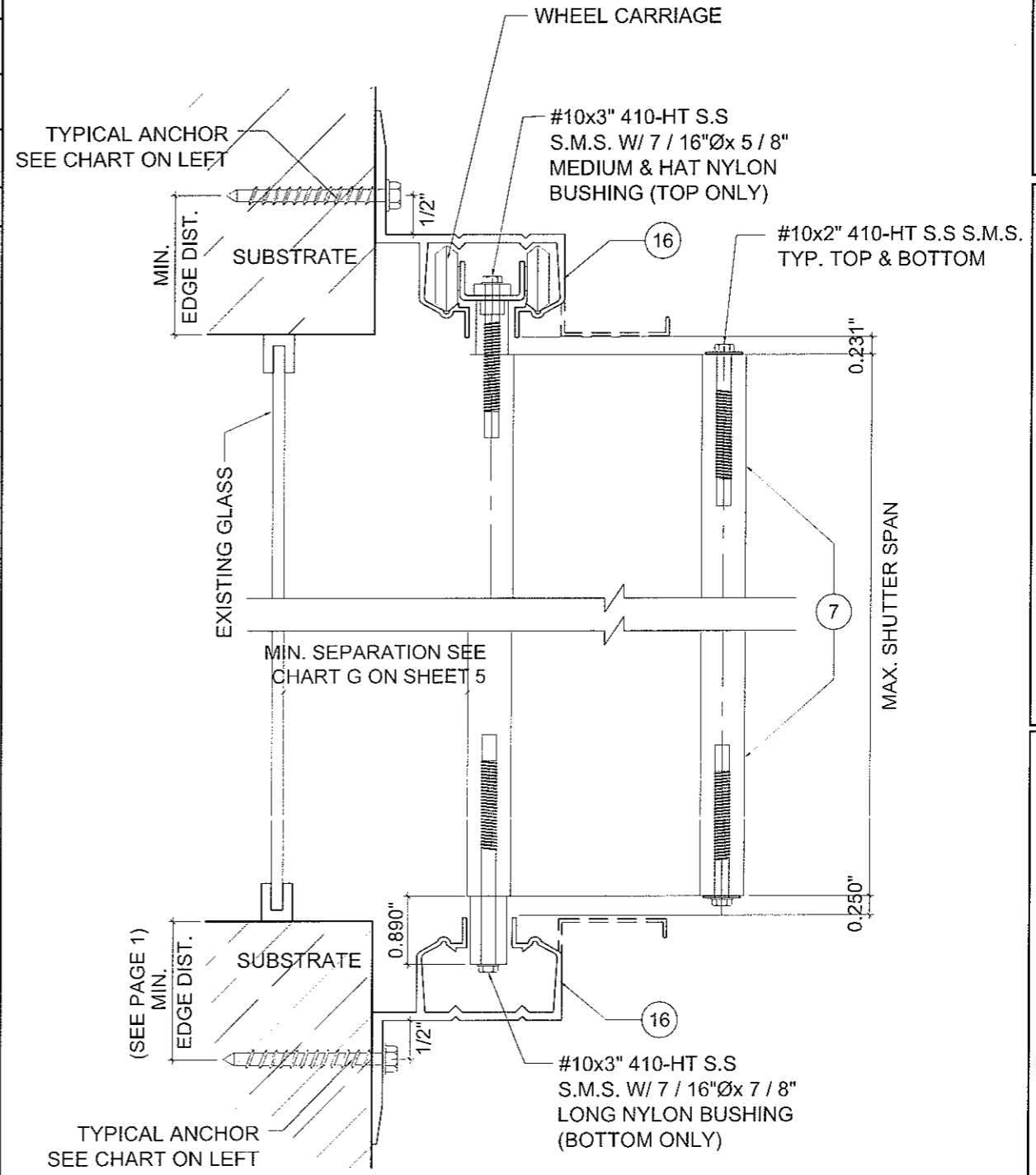
GSS - 1 GENESIS SHUTTER SYSTEM
GENESIS SHUTTER GROUP, INC.
9811 NW 80 AVE. BAY 7A / 7B
HIALEAH GARDENS, FL. 33016
P: (305) 733 - 6235 F: (305) 846 - 9413

| | |
|---------|------------|
| DATE | 4-27-12 |
| SCALE | AS NOTED |
| DRAWN | S.L. |
| PROJECT | MCY 12-087 |

DRAWING NO.
AD12-37

13 OF 15

| DESIGN LOAD VS SPAN AND ANCHOR SPACING CHART | | | | | | | DESIGN LOAD VS SPAN AND ANCHOR SPACING CHART | | | | | | |
|--|--------------|----------------------|----------------------|----------------------|----------------------|----------------------|--|--------------|----------------------|----------------------|----------------------|----------------------|----------------------|
| MAX. DESIGN LOAD | SHUTTER SPAN | SECTION 12 (TOP) | | | | | MAX. DESIGN LOAD | SHUTTER SPAN | SECTION 12 (BOTTOM) | | | | |
| | | CONCRETE | CONCRETE | WOOD | CONCRETE BLOCK | CONCRETE BLOCK | | | CONCRETE | CONCRETE | WOOD | CONCRETE BLOCK | CONCRETE BLOCK |
| | | ANCHOR SPACING (in.) | ANCHOR SPACING (in.) | ANCHOR SPACING (in.) | ANCHOR SPACING (in.) | ANCHOR SPACING (in.) | | | ANCHOR SPACING (in.) | ANCHOR SPACING (in.) | ANCHOR SPACING (in.) | ANCHOR SPACING (in.) | ANCHOR SPACING (in.) |
| (PSF) | (INCH) | TYPE A/B / C/F | TYPE E | TYPE H/G | TYPE A1/B1/D1/E1 | TYPE C1/F1 | (PSF) | (INCH) | TYPE A/B / C/F | TYPE E | TYPE H/G | TYPE A1/B1/D1/E1 | TYPE C1/F1 |
| 40 | 60" | 12.0 | 12.0 | 12.0 | 10.5 | 12.0 | 40 | 60" | 12.0 | 12.0 | 12.0 | 8.7 | 12.0 |
| | 78" | 12.0 | 12.0 | 12.0 | 8.1 | 12.0 | | 78" | 12.0 | 12.0 | 12.0 | 6.7 | 11.6 |
| | 96" | 12.0 | 12.0 | 12.0 | 6.6 | 11.5 | | 96" | 12.0 | 12.0 | 12.0 | 5.4 | 9.4 |
| | 114" | 12.0 | 12.0 | 12.0 | 5.6 | 9.6 | | 114" | 12.0 | 10.1 | 12.0 | 4.6 | 8.0 |
| | 120" | 12.0 | 11.7 | 12.0 | 5.3 | 9.2 | | 120" | 12.0 | 9.6 | 12.0 | 4.3 | 7.6 |
| | 132" | 12.0 | 10.6 | 12.0 | 4.8 | 8.3 | | 132" | 11.9 | 8.8 | 12.0 | 4.0 | 6.9 |
| | 141" | 12.0 | 10.0 | 12.0 | 4.5 | 7.8 | | 141" | 11.1 | 8.2 | 12.0 | 3.7 | 6.4 |
| 50 | 60" | 12.0 | 12.0 | 12.0 | 8.4 | 12.0 | 50 | 60" | 12.0 | 12.0 | 12.0 | 7.0 | 12.0 |
| | 78" | 12.0 | 12.0 | 12.0 | 6.5 | 11.3 | | 78" | 12.0 | 11.9 | 12.0 | 5.4 | 9.3 |
| | 96" | 12.0 | 11.7 | 12.0 | 5.3 | 9.2 | | 96" | 12.0 | 9.6 | 12.0 | 4.3 | 7.6 |
| | 114" | 12.0 | 9.8 | 12.0 | 4.4 | 7.7 | | 114" | 11.0 | 8.1 | 12.0 | 3.7 | 6.4 |
| | 120" | 12.0 | 9.4 | 12.0 | 4.2 | 7.3 | | 120" | 10.5 | 7.7 | 12.0 | 3.5 | 6.0 |
| | 132" | 11.5 | 8.5 | 12.0 | 3.8 | 6.7 | | 132" | 9.5 | 7.0 | 11.3 | 3.2 | 5.5 |
| 60 | 60" | 12.0 | 12.0 | 12.0 | 7.0 | 12.0 | 60 | 60" | 12.0 | 12.0 | 12.0 | 5.8 | 10.1 |
| | 78" | 12.0 | 12.0 | 12.0 | 5.4 | 9.4 | | 78" | 12.0 | 9.9 | 12.0 | 4.5 | 7.7 |
| | 96" | 12.0 | 9.7 | 12.0 | 4.4 | 7.6 | | 96" | 10.9 | 8.0 | 12.0 | 3.6 | 6.3 |
| | 114" | 11.1 | 8.2 | 12.0 | 3.7 | 6.4 | | 114" | 9.2 | 6.8 | 10.9 | 3.1 | 5.3 |
| | 126" | 10.1 | 7.4 | 11.9 | 3.3 | 5.8 | | 126" | 8.3 | 6.1 | 9.8 | - | 4.8 |
| 70 | 60" | 12.0 | 12.0 | 12.0 | 6.0 | 10.5 | 70 | 60" | 12.0 | 11.0 | 12.0 | 5.0 | 8.6 |
| | 78" | 12.0 | 10.3 | 12.0 | 4.6 | 8.1 | | 78" | 11.5 | 8.5 | 12.0 | 3.8 | 6.6 |
| | 96" | 11.3 | 8.4 | 12.0 | 3.8 | 6.5 | | 96" | 9.3 | 6.9 | 11.1 | 3.1 | 5.4 |
| | 114" | 9.5 | 7.0 | 11.3 | 3.2 | 5.5 | | 114" | 7.9 | 5.8 | 9.3 | - | 4.5 |
| | 118" | 9.1 | 6.7 | 10.8 | 3.0 | 5.3 | | 118" | 7.5 | 5.6 | 8.9 | - | 4.4 |
| 80 | 60" | 12.0 | 11.7 | 12.0 | 5.3 | 9.2 | 80 | 60" | 12.0 | 9.6 | 12.0 | 4.3 | 7.6 |
| | 78" | 12.0 | 9.0 | 12.0 | 4.1 | 7.0 | | 78" | 10.1 | 7.4 | 11.9 | 3.3 | 5.8 |
| | 96" | 9.9 | 7.3 | 11.8 | 3.3 | 5.7 | | 96" | 8.2 | 6.0 | 9.7 | - | 4.7 |
| | 111" | 8.6 | 6.3 | 10.2 | - | 5.0 | | 111" | 7.1 | 5.2 | 8.4 | - | 4.1 |
| 90 | 60" | 12.0 | 10.4 | 12.0 | 4.7 | 8.1 | 90 | 60" | 11.6 | 8.6 | 12.0 | 3.9 | 6.7 |
| | 78" | 10.8 | 8.0 | 12.0 | 3.6 | 6.3 | | 78" | 8.9 | 6.6 | 10.6 | - | 5.2 |
| | 96" | 8.8 | 6.5 | 10.4 | - | 5.1 | | 96" | 7.3 | 5.4 | 8.6 | - | 4.2 |
| | 105" | 8.1 | 5.9 | 9.6 | - | 4.7 | | 105" | 6.6 | 4.9 | 7.9 | - | 3.8 |
| 100 | 60" | 12.0 | 9.4 | 12.0 | 4.2 | 7.3 | 100 | 60" | 10.5 | 7.7 | 12.0 | 3.5 | 6.0 |
| | 78" | 9.8 | 7.2 | 11.6 | 3.2 | 5.6 | | 78" | 8.0 | 5.9 | 9.5 | - | 4.6 |
| | 96" | 7.9 | 5.8 | 9.4 | - | 4.6 | | 96" | 6.5 | 4.8 | 7.8 | - | 3.8 |
| | 99" | 7.7 | 5.7 | 9.1 | - | 4.4 | | 99" | 6.3 | 4.7 | 7.5 | - | 3.7 |
| 120 | 48" | 12.0 | 9.7 | 12.0 | 4.4 | 7.6 | 120 | 48" | 10.9 | 8.0 | 12.0 | 3.6 | 6.3 |
| | 60" | 10.6 | 7.8 | 12.0 | 3.5 | 6.1 | | 60" | 8.7 | 6.4 | 10.3 | - | 5.0 |
| | 78" | 8.1 | 6.0 | 9.6 | - | 4.7 | | 78" | 6.7 | 4.9 | 8.0 | - | 3.9 |
| | 91" | 7.0 | 5.1 | 8.3 | - | 4.0 | | 91" | 5.7 | 4.2 | 6.8 | - | 3.3 |
| 140 | 48" | 11.3 | 8.4 | 12.0 | 3.8 | 6.5 | 140 | 48" | 9.3 | 6.9 | 11.1 | 3.1 | 5.4 |
| | 60" | 9.1 | 6.7 | 10.7 | 3.0 | 5.2 | | 60" | 7.5 | 5.5 | 8.9 | - | 4.3 |
| | 78" | 7.0 | 5.1 | 8.3 | - | 4.0 | | 78" | 5.7 | 4.2 | 6.8 | - | 3.3 |
| | 81" | 6.7 | 4.9 | 8.0 | - | 3.9 | | 81" | 5.5 | 4.1 | 6.6 | - | 3.2 |
| 160 | 48" | 9.9 | 7.3 | 11.8 | 3.3 | 5.7 | 160 | 48" | 8.2 | 6.0 | 9.7 | - | 4.7 |
| | 60" | 7.9 | 5.8 | 9.4 | - | 4.6 | | 60" | 6.5 | 4.8 | 7.8 | - | 3.8 |
| | 70" | 6.7 | 4.9 | 7.9 | - | 3.9 | | 70" | 5.5 | 4.1 | 6.6 | - | 3.2 |
| 180 | 48" | 8.8 | 6.5 | 10.4 | - | 5.1 | 180 | 48" | 7.3 | 5.4 | 8.6 | - | 4.2 |
| | 63" | 6.7 | 4.9 | 8.0 | - | 3.9 | | 63" | 5.5 | 4.1 | 6.6 | - | 3.2 |
| 200 | 48" | 7.9 | 5.8 | 9.4 | - | 4.6 | 200 | 48" | 6.5 | 4.8 | 7.8 | - | 3.8 |
| | 57" | 6.7 | 4.9 | 7.9 | - | 3.9 | | 57" | 5.5 | 4.1 | 6.5 | - | 3.2 |



12 WALL MOUNTING INSTALLATION
HEAVY DUTY TRACK

YIPING WANG, P.E.
FLORIDA REGISTRATION
No. 58862867
APR 27 2012

| | | | |
|-----------|-----|------|-------------|
| REVISIONS | NO. | DATE | DESCRIPTION |
| | | | |
| | | | |
| | | | |

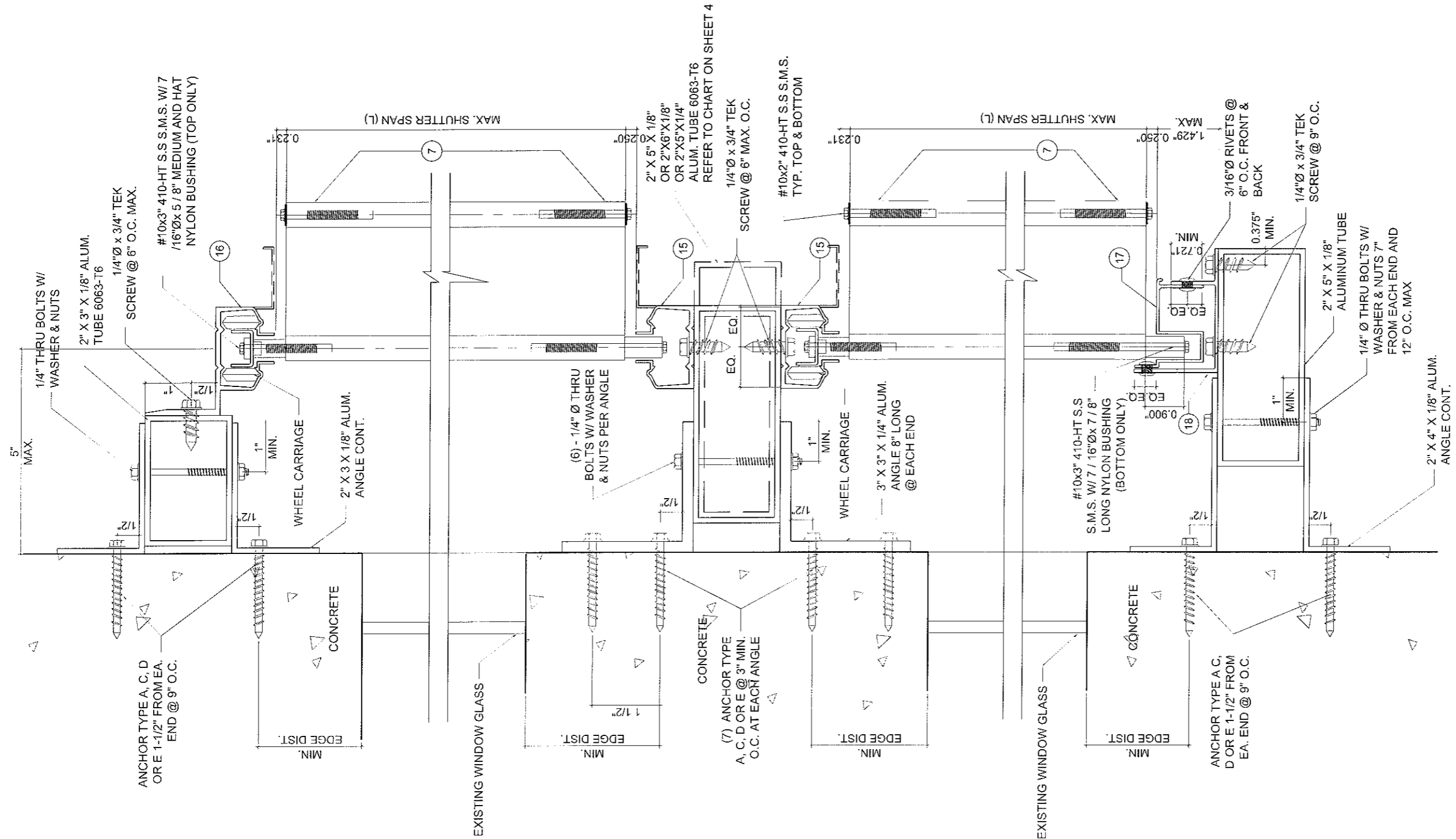
MCY ENGINEERING, INC.
GLAZING CONSULTANTS
8501 SW 124 AVE. STE. 205A
MIAMI, FL. 33183
P: 305.271.0117
F: 786.573.5063
www.MCYEngineering.com
MCY.Engineering@Att.net

GSS - 1 GENESIS SHUTTER SYSTEM
GENESIS SHUTTER GROUP, INC.
9811 NW 80 AVE. BAY 7A / 7B
HIALEAH GARDENS, FL. 33016
P: (305) 733 - 6235 F: (305) 846 - 9413

| | |
|---------|------------|
| DATE | 4-27-12 |
| SCALE | AS NOTED |
| DRAWN | S.L. |
| PROJECT | MCY 12-087 |

DRAWING NO.
AD12-37

14 OF 15



13 B.O WALL MOUNTING INSTALLATION
HEAVY DUTY TRACK

YIPING WANG, P.E.
FLORIDA REGISTRATION
No. 55962867
APR 27 2012

GSS - 1 GENESIS SHUTTER SYSTEM
GENESIS SHUTTER GROUP, INC.
9811 NW 80 AVE. BAY 7A / 7B
HIALEAH GARDENS, FL. 33016
P: (305) 733 - 6235 F: (305) 846 - 9413

| | |
|-------------|------------|
| DATE | 4-27-12 |
| SCALE | AS NOTED |
| DRAWN | S.L. |
| PROJECT | MCY 12-087 |
| DRAWING NO. | AD12-37 |
| 15 OF 15 | |

MCY ENGINEERING, INC.
GLAZING CONSULTANTS

8501 SW 124 AVE. STE. 205A P: 305.271.0117
MIAMI, FL. 33183 F: 786.573.5063
www.MCYEngineering.com MCY.Engineering@Att.net

| NO. | DATE | DESCRIPTION |
|-----|------|-------------|
| | | |
| | | |
| | | |
| | | |